

Project Name: _____ AIA#: _____

Model #: _____ Location: _____

SIS#: _____ Item #: _____ Quantity: _____



Chefmate® by Globe Manual Control Countertop Gas Griddle

Keep it Clean!

Removable cooktop simplifies cleaning.



Model

C24GG (pictured)

C36GG

Standard Features

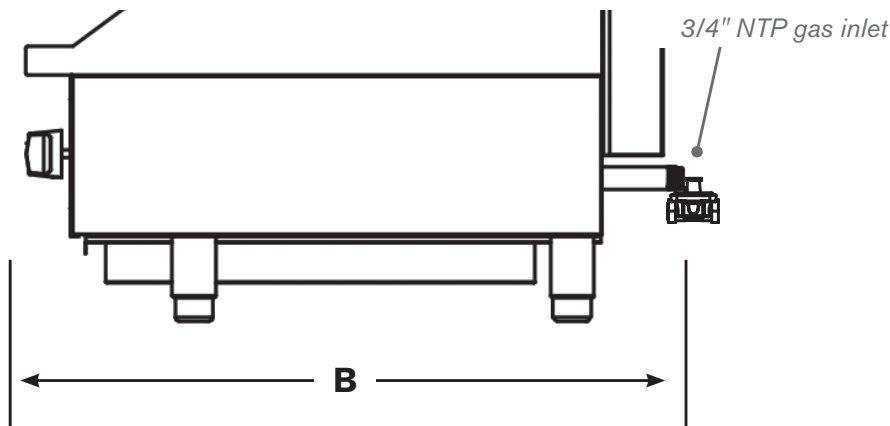
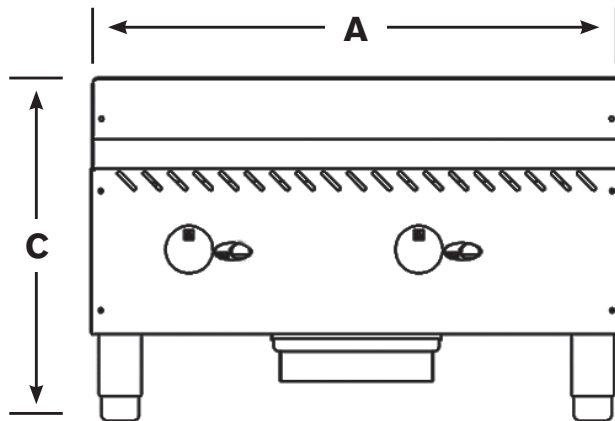
- Available in 24" and 36" widths
- Stainless steel construction with extended cool-to-touch front edge
- Manual controls
- 3/4" polished griddle plate for uniform heat distribution
- Durable steel U-style burner provides heat control every 12" and flame every 6"
- 3.25" high back and side splash
- Spatula wide 3.25" trough
- Stainless steel legs with adjustable feet
- Stainless steel catch tray
- Cooktop fully removable for easy cleaning
- High performance 30,000 BTUs per burner
- Adjustable pilots with front access
- Unit ships natural gas with liquid propane gas (LP) conversion kit and regulator

Warranty

- One year parts and labor



Approved by: _____ Date: _____



For indoor use only.

DIMENSIONS | SPECIFICATIONS | SHIPPING INFORMATION

Reinforced carton for shipping. Weight of carton included below and may vary from shipment to shipment. **Shipped on a pallet. Freight class 77.5**

Model	Dimensions			Net Wt	No. Burners BTUs ea	Total BTUs	Cooking Area	Shipping Dimensions			Ship Wt
	A - Width	B - Depth	C - Height					Width	Depth	Height	
C24GG	24" (61 cm)	33" (83 cm)	15.5" (40 cm)	178.57 lbs (81 kg)	<u>2</u> 30,000	60,000	24" x 20" (61 cm x 51 cm)	32" (81.5 cm)	27" (69 cm)	18" (46 cm)	183 lbs (83 kg)
C36GG	36" (91.5 cm)	33" (83 cm)	15.5" (40 cm)	231 lbs (104.8 kg)	<u>3</u> 30,000	90,000	36" x 20" (91.5 cm x 51 cm)	39" (99 cm)	32" (81.5 cm)	19" (48.5 cm)	257 lbs (116.6 kg)

GAS REQUIREMENTS AND INFORMATION

- Natural gas or LP main supply required
- Conversion of unit from natural gas to LP must be completed by an authorized Globe servicer
- 3/4" standard pipe size I.D. connection

Gas griddle is manual control and constructed of stainless steel with cool-to-touch front edge. Unit has high performance 30,000 BTU burners with adjustable pilot lights with front access. Griddle has 3/4" griddle plate, 3.25" high back and side splash, 3.25" wide trough, stainless steel removable catch tray and stainless legs with adjustable feet. Cooktop is fully removable, pilots are adjustable with front access. Gas connection is 3/4" N.P.T. males and a convertible pressure regulator is provided for either LP or natural gas. Griddles are listed to NSF Standard 4 by CSA.