

Project Name: _____ AIA#: _____

Model #: _____ Location: _____

SIS#: _____ Item #: _____ Quantity: _____



NEW!

Heavy-Duty Immersion Blenders

Fast, fresh & versatile!

Quickly blend, pureé and emulsify anywhere in the kitchen with Globe's new Immersion Blenders!



GIB750-14

Models

- GIB500-12 - 500 Watt, 12" blending stick
- GIB750-14 - 750 Watt, 14" blending stick
- GIB750-16 - 750 Watt, 16" blending stick
- GIB750-18 - 750 Watt, 18" blending stick
- GIB750-22 - 750 Watt, 22" blending stick

Standard Features

- Variable speed, heavy-duty motor for flexibility and control
- Interlocked power switch for operator protection
- Overload protection ensures longevity
- No tools required
- Stainless steel blending sticks and blades provide optimal sanitation
- Attachments are dishwasher safe for fast, easy cleanup
- 7.5' power cord for better mobility

Warranty

- 1-year replacement

Optional Accessories/Attachments

(Available for GIB500 & GIB750)

- **GIBSTK12** - 12" Blending Stick
- **GIBSTK14** - 14" Blending Stick
- **GIBSTK16** - 16" Blending Stick
- **GIBSTK18** - 18" Blending Stick
- **GIBSTK20** - 20" Blending Stick
- **GIBSTK22** - 22" Blending Stick
- **GIBWSK10** Whisk Attachment
- **GIBWM** Wall Mount

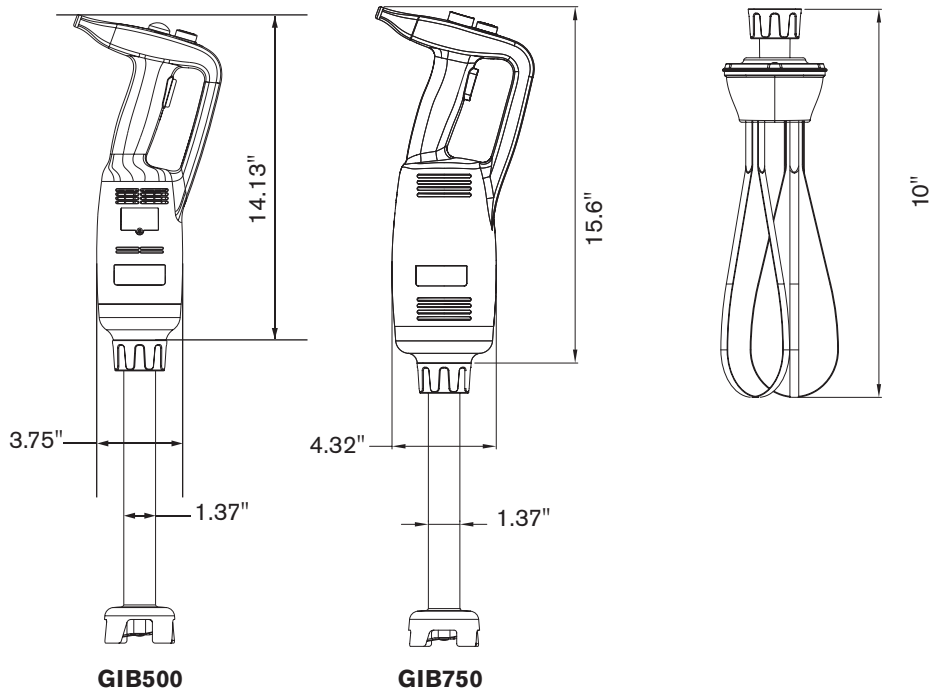
To select options see back



AutoQuotes

Approved by: _____ Date: _____

2153 Dryden Rd., Dayton, OH 45439 | 937-299-5493 | 800-347-5423 | Fax: 937-299-4147 | www.globefoodequip.com



GIB500

GIB750

SPECIFICATIONS

Base Model	RPMs	Motor	Watts	Volts	Amps
GIB500	4,000 to 16,000	3/4 HP	500	120 V / 60 Hz	4
GIB750	8,000 to 20,000	1 HP	750	120 V / 60 Hz	6

Cord & Plug: Attached 7.5 foot flexible 3-wire cord with molded plug fits a grounded receptacle. NEMA 5-15

DIMENSIONS | SHIPPING INFORMATION

Item ships parcel small pack.

Base Model	Overall Dimensions	Net Weight	Shipping Dimensions	Shipping Weight
GIB500	3.75" W x 6.75" D x 14.75" H (9.5 cm x 17.14 cm x 37.5 cm)	4.71 lbs. (2.14 kg)	23.25" W x 11" D x 5" H (59 cm x 27.9 cm x 12.7 cm)	8.5 lbs. (3.85 kg)
GIB750	4.32" W x 7.32" D x 16" H (11 cm x 18.6 cm x 40.6 cm)	6.5 lbs. (2.94 kg)	23.25" W x 11" D x 5" H (59 cm x 27.9 cm x 12.7 cm)	11.5 lbs. (5.21 kg)

Globe Immersion Blenders have variable speed, heavy-duty motors with overload protection. Interlocked power switch. Stainless steel blending sticks and blades are dishwasher safe. Immersion blenders are CSA design certified, NSF compliant and ETL sanitation listed.

OPTIONAL/ADDITIONAL ACCESSORIES (Available for GIB500 & GIB750)

- GIBSTK12** 12" Blending Stick
- GIBSTK14** 14" Blending Stick
- GIBSTK16** 16" Blending Stick
- GIBSTK18** 18" Blending Stick
- GIBSTK20** 20" Blending Stick
- GIBSTK22** 22" Blending Stick
- GIBWSK** 10" Whisk Attachment
- GIBWM** Immersion Blender Wall Mount