

Project Name: \_\_\_\_\_ AIA#: \_\_\_\_\_

Model #: \_\_\_\_\_ Location: \_\_\_\_\_

SIS#: \_\_\_\_\_ Item #: \_\_\_\_\_ Quantity: \_\_\_\_\_



**NEW!**

# Power Drive Units

**More Power, More Versatility!**

*Chop, grate, shred, slice and tenderize! Globe Power Drive Units boost food prep productivity with a heavy-duty 1 HP motor and an industry standard #12 attachment hub.*



GPD-L

### Models

- GPD-L - 200 RPMs
- GPD-H - 700 RPMs

### Standard Features

- Powerful 1 HP fan-cooled motor
- Industry standard #12 Attachment Hub
- Brushed stainless steel construction with one-piece cast hub face
- Interlocked power switch prevents inadvertent operation
- #12 attachment coupler built into shaft
- Overload protection with manual reset button
- Non-scratch, non-slip feet

### Warranty

- 1-year parts and labor warranty

### Optional Accessories/Attachments

- **XVSGH** 9" slicer/shredder/grater housing
- **XASP** Adjustable slicing plate (*vegetables only*)
- **XPH** Plate holder (*requires plate below*)

#### Shredder/Grater plates:

- XSP332** 3/32" (2.3 mm) shredding plate
- XSP316** 3/16" (4.7 mm) shredding plate
- XSP14** 1/4" (6.3 mm) shredding plate
- XSP516** 5/16" (7.9 mm) shredding plate
- XSP12** 1/2" (2.3 mm) shredding plate
- XGP** grating plate

- **XMCA-SS** Meat Grinder Assembly (*GPD-L only*)

#### Grinding plates:

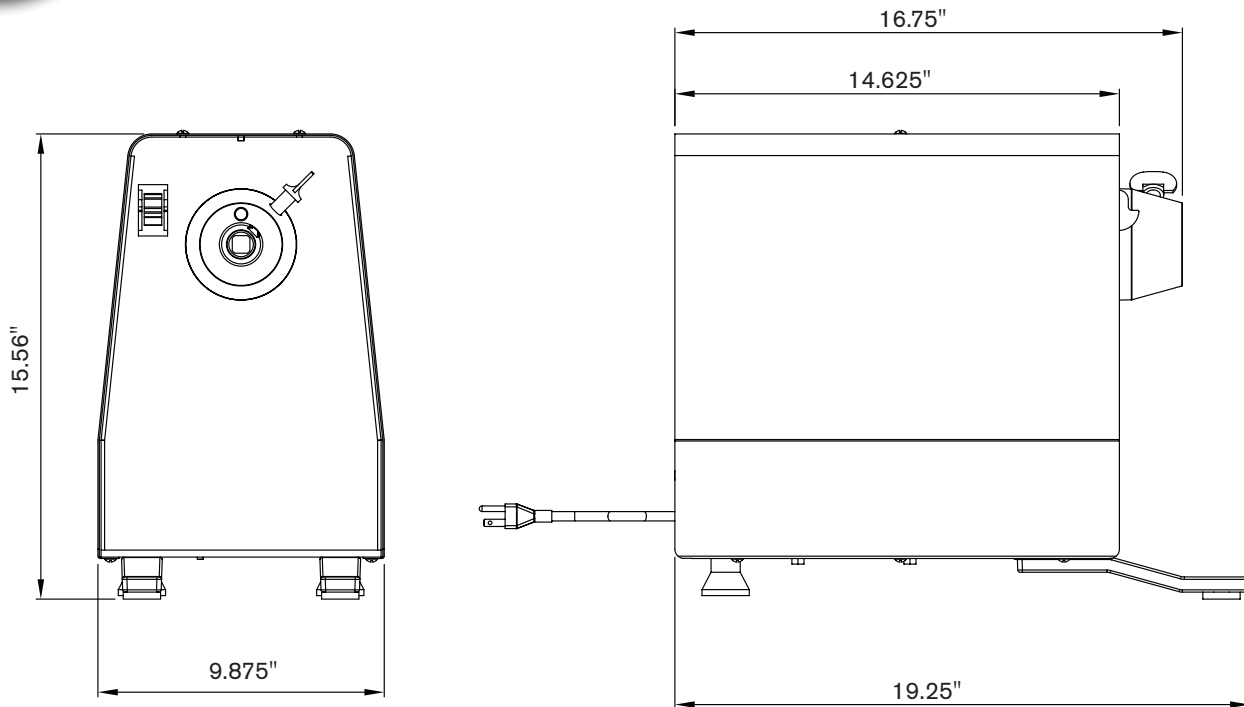
- L00772** 1/16" (2 mm) plate
- L00668** 5/32" (4 mm) plate
- L00439** 1/4" (6 mm) plate
- L00669** 5/16" (8 mm) plate
- L00773** 3/8" (10 mm) plate
- L00774** 1/2" (12 mm) plate
- L00775** 9/16" (14 mm) plate
- L00776** 5/8" (16 mm) plate
- L00777** stuffing plate - *Must be used with stuffing tube when stuffing sausage casings*

To select options see back



AutoQuotes

Approved by: \_\_\_\_\_ Date: \_\_\_\_\_



**SPECIFICATIONS**

Model	RPMs	Motor	Amps	Volts	Capacity per Minute		
					Ground Beef	Parmesan Cheese	Lettuce
<b>GPD-L</b>	<b>200</b>	<b>1 HP</b>	5	115 V / 60 Hz	1 lb.	.67 lb.	7 lbs.
<b>GPD-H*</b>	<b>700</b>	<b>1 HP</b>	5	115 V / 60 Hz	<i>Not recommended</i>	1.5 lb.	10.35 lbs.

\*High speed model not recommended for grinding meat

**Cord & Plug:** Attached 6 foot flexible 3-wire cord with molded plug fits a grounded receptacle. NEMA 5-15

**DIMENSIONS | SHIPPING INFORMATION**

Item ships in reinforced box. **GPD-L Freight Class 65 / GPD-H Freight Class 70**

Model	Overall Dimensions	Net Weight	Shipping Dimensions	Shipping Weight
<b>GPD-L</b>	9.875" W x 19.25" D x 15.56" H (25.1 cm x 48.9 cm x 39.5 cm)	79 lbs. (36 kg)	14" W x 22.75" D x 19" H (36.6 cm x 57.8 cm x 48.3cm)	85 lbs. (38.5 kg)
<b>GPD-H</b>	9.875" W x 19.25" D x 15.56" H (25.1 cm x 48.9 cm x 39.5 cm)	72 lbs. (33 kg)	14" W x 22.75" D x 19" H (36.6 cm x 57.8 cm x 48.3cm)	77 lbs. (34.9 kg)

Globe Power Drive Units constructed of stainless steel with one-piece cast hub. Power Drive Units have 1 HP fan cooled motors with overload protection and manual reset. #12 attachment hub with coupler built into shaft. Interlocked power switch prevents inadvertent operation. Non-slip, non-scratch feet. Units are CSA design certified, NSF and cETLus listed. One-year parts and labor warranty.

**OPTIONAL/ADDITIONAL ACCESSORIES**

- XVSGH** 9" Slicer/Shredder/Grater Housing
- XASP** Adjustable Slicing Plate (vegetables only)
- XPH** Plate Holder

**Shredder/Grater plates:**

- XSP332** 3/32" (2.3 mm) shredding plate
- XSP316** 3/16" (4.7 mm) shredding plate
- XSP14** 1/4" (6.3 mm) shredding plate

- XSP516** 5/16" (7.9 mm) shredding plate
- XSP12** 1/2" (2.3 mm) shredding plate
- XGP** grating plate
- XMCA-SS** Meat Grinder Assembly (GPD-L only)

**Grinding plates:**

- L00772** 1/16" (2 mm) plate
- L00668** 5/32" (4 mm) plate
- L00439** 1/4" (6 mm) plate

- L00669** 5/16" (8 mm) plate
- L00773** 3/8" (10 mm) plate
- L00774** 1/2" (12 mm) plate
- L00775** 9/16" (14 mm) plate
- L00776** 5/8" (16 mm) plate
- L00777** stuffing plate *Must be used with stuffing tube when stuffing sausage casings*