

Project Name: \_\_\_\_\_ AIA#: \_\_\_\_\_

Model #: \_\_\_\_\_ Location: \_\_\_\_\_

SIS#: \_\_\_\_\_ Item #: \_\_\_\_\_ Quantity: \_\_\_\_\_



# Premium Heavy-Duty Automatic Meat Slicer

**Precise slicing, all day long!**

*Powerful continuous use motor, hardened steel alloy knife and superior stainless steel construction.*



## Warranty

- 15-year warranty on knife drive gears
- Two year parts, one year labor

*Warranty valid in North America, contact factory regarding warranty in other countries*

## Factory Options and Accessories

*To select factory installed options and accessories see back*

## Models

- 3850N
- 3975N

## Standard Features

### Premium Construction

- 13" *PreciseEdge™* hardened steel alloy knife blade with maximum tip-edge-holding ability
- Stainless steel construction with superior corrosion resistance against acids found in fruit, meats & vegetables
- Best of the Best, *EZ-Glide™* slice system
- No-drip base with Marine edge — 1/2" to 3/4" wide and indented areas with 3/16" deep radiused transition and 3/16" deep internal covered corners — redirects liquid to center of base away from controls and operator
- 2° angled drip groove on slicer table directs liquid flow to base
- Precise slice-thickness adjustment, one-piece handle, gear driven and gasket-sealed
- Carriage angle: 45°, full gravity feed
- 12" long chute with 3 lb. stainless steel end weight
- Powerful 1/2 HP, 7 amp continuous use motor
- High-performance gear knife drive
- Maintenance-free drive system
- No voltage release prevents inadvertent reactivation of slicer in the event of power or interlock interruption
- Permanently attached knife blade ring guard with removable cover and deflector
- Knife cover interlock prevents slicer from operating without the knife cover in place
- Knife sharpening system is removable and BPA Free (no-bisphenol-A), immersible, and dishwasher-safe for cleaning and sanitizing
- Touch pad start/stop controls, power indicator light
- Ergonomic low-profile design reduces operator fatigue
- Dual arm lift lever for cleaning and sanitizing under slicer

## Standard Features

### Food Zone

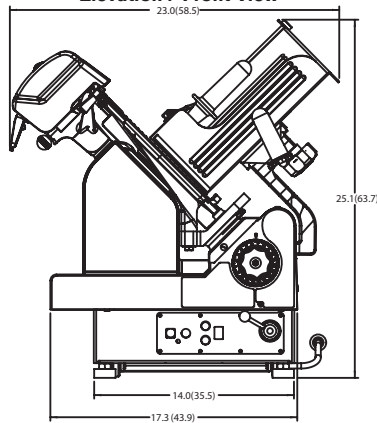
- Large stainless steel radii, open space base design for cleaning and simple dismantling of components
- Knife sharpening system is removable and BPA Free (no-bisphenol-A), immersible, and dishwasher-safe for cleaning and sanitizing
- Moisture proof, easy-to-clean direct contact start/stop touchpad controls
- Sealed splash zones for added sanitation and protection of electronics

Approved by: \_\_\_\_\_ Date: \_\_\_\_\_

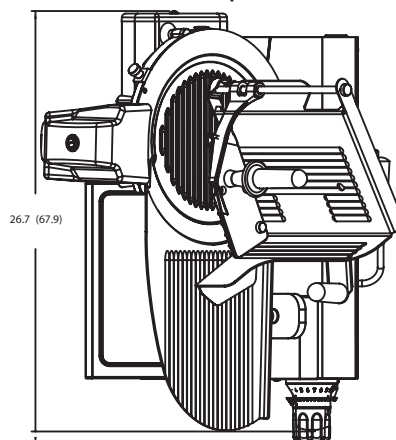
2153 Dryden Rd., Dayton, OH 45439 | 937-299-5493 | 800-347-5423 | Fax: 937-299-4147 | [www.globefoodequip.com](http://www.globefoodequip.com)



Elevation / Front View

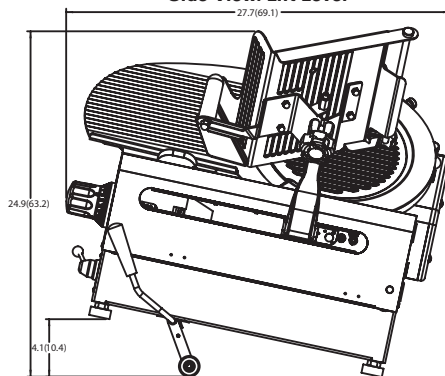


Plan / Top View

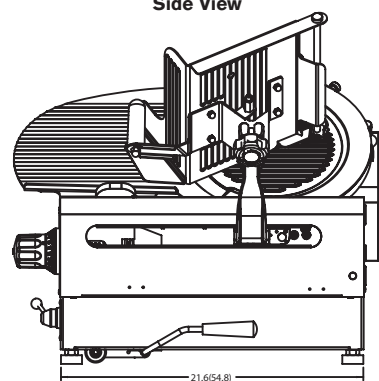


Note: different chute options will change overall height

Side View/Lift Lever






Side View



Drawings available through KCL. [www.kclcad.com](http://www.kclcad.com)

**SPECIFICATIONS**

Model	Auto or Manual	Motor	Volts	Amps	Drive Type	Slicing Volume per Day	Cheese Slicing	Blade Diameter	Max Slice	Product Cutting Capacity		
										D (Diameter)	W (Width)	H (Height)
3850N	Both	1/2 HP	115-60-1	7	Gear	All Day		13" (33.02 cm)	1-1/4" (3.18 cm)	7.5" (19.50 cm)	11.6" (29.46 cm)	9" (22.86 cm)
3975N	Both	1/2 HP	115-60-1	7	Gear	All Day		13" (33.02 cm)	1-1/4" (3.18 cm)	7.5" (19.50 cm)	11.6" (29.46 cm)	9" (22.86 cm)

**Cord & Plug:** Attached 7 foot flexible 3-wire cord with molded plug fits a grounded receptacle. NEMA 5-15 

**DIMENSIONS | SHIPPING INFORMATION**

Reinforced carton for shipping. The weight and dimensions of this reinforced carton are included below and may vary from shipment to shipment. **Shipped on a pallet. Freight class 77.5**

Model	Overall Dimensions	Net Weight	Shipping Dimensions	Shipping Weight
3850N/ 3975N	23" W x 26.7" D x 25.1" H (69.7 cm x 58.5 cm x 63.7 cm)	145 lbs. (67.1 kg)	25" W x 28" L x 34" H (71.1 cm x 63.5 cm x 86.4 cm)	172 lbs. (78 kg)

**FACTORY INSTALLED OPTIONS:**

- QUICK-CLEAN™** Proprietary non-stick nickel-based coating (knife cover and slicer table)
- CORR** Correctional package
- MEATROOM** High moisture application package (includes 13" stainless steel knife)
- LONGCHUTE** 15" long food chute
- SSK** 13" long stainless steel knife

**OPTIONAL ACCESSORIES:**

- 1047** Stainless steel low food fence (12" L x 1 3/8" H)
- 1326** Stainless steel high food fence (12" L x 3" H)
- 699-BAS** Stainless steel vegetable hopper (14" L x 7" D)
- SC-LARGE** Clear plastic slicer cover (recommended for preconstruction)
- CB** Additional cleaning brush