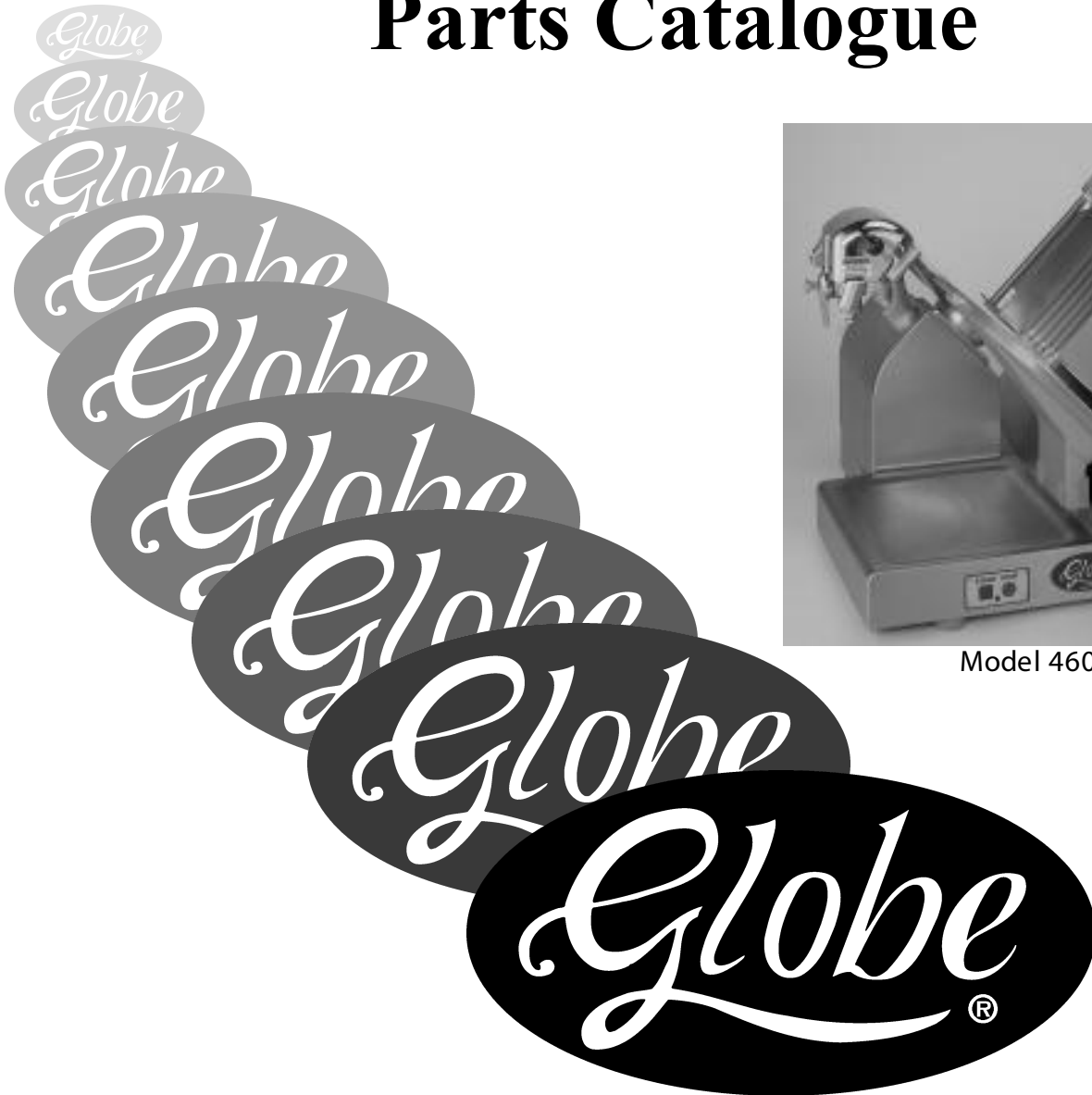


Parts Catalogue



Model 4600

SLICING MACHINES

MODELS: 4600, 4850, 4975, REV. A

IMPORTANT!

TO EXPEDITE SHIPMENT OF PARTS, ALWAYS SPECIFY MODEL AND PART NUMBER, AND WHEN AVAILABLE, SERIAL NUMBER OF SLICER.

GLOBE FOOD EQUIPMENT COMPANY

2268 N. Moraine Drive
Dayton, Ohio 45439

Parts Department

Toll Free 1-800-745-6238 • Fax (937) 290-0585

E-Mail: globeinfo@globeslicers.com

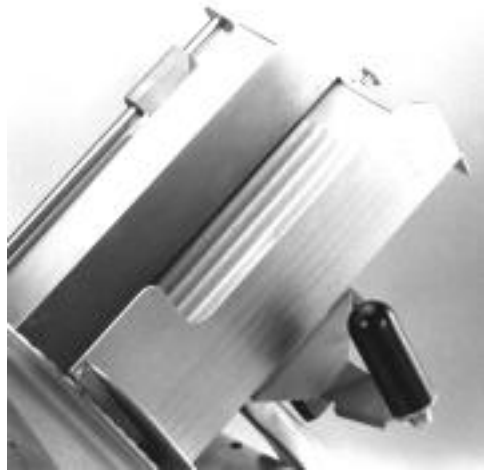
Website: www.globeslicers.com

ACCESSORIES

Vegetable Hopper 699-AS



Adjustable Stainless Steel Fence 1326 Tall
1047 Short



Front Mounted Endweight 102-AS-11



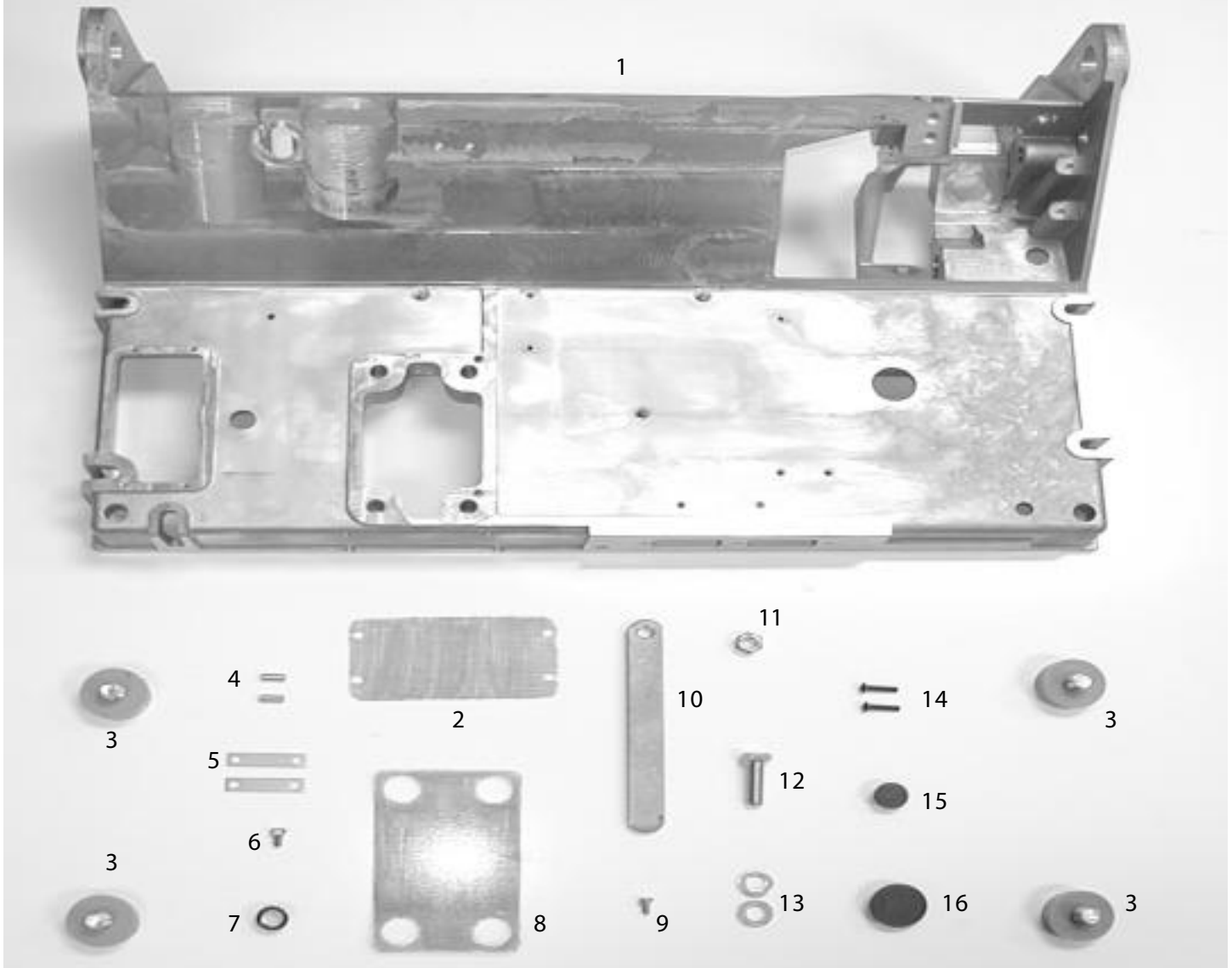
PS 10 Portion Scale



Extension Legs 873



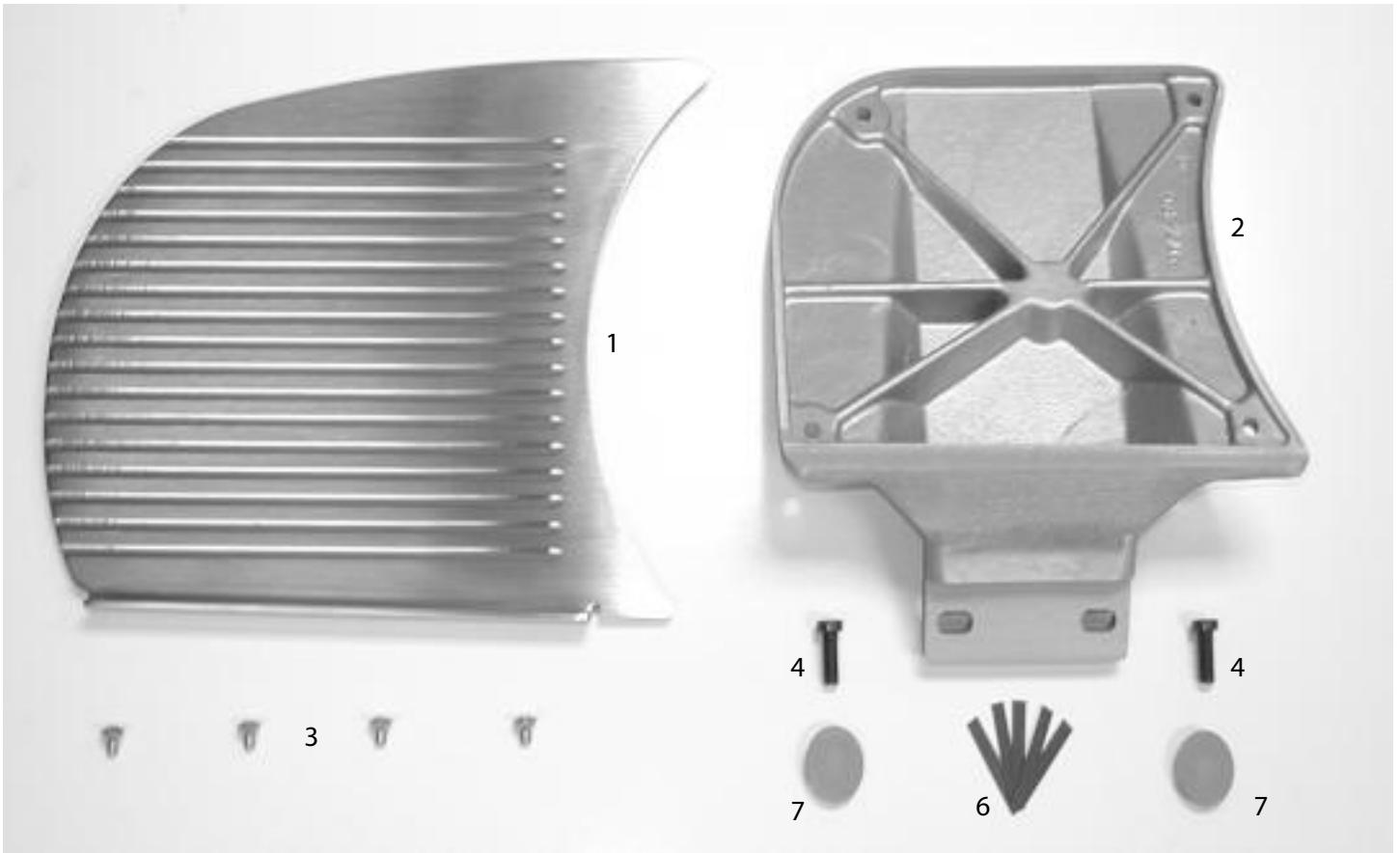
BASE



ITEM	DESCRIPTION	PART NUMBER	AUTOMATICS	MANUAL
1	BASE, MANUAL	1385		X
	BASE, AUTOMATIC	1386	X	
2	MOTOR SCREEN	1148	X	X
3	BASE PAD RUBBER FOOT (4 REQ.)	817	X	X
4	DOWEL PIN (2 REQ.)	1091	X	X
5	MOTOR SCREEN BRACE (2 REQ.)	1255	X	X
6	MOTOR BRACE SCREW (4 REQ.)	1227	X	X
7	SNAP BUSHING	850-7	X	X
8	GEAR HOUSING SCREEN	1149	X	X
9	SCREW TABLE SLIDE ROD	975-1	X	X
10	CLEANING BRACE	873-CB		X
11	NUT	873-CB1		X
12	HEX BOLT	477		X
13	FLAT WASHER (2 REQ.)	763-4A		X
14	BUTTON HEAD SCREW (2 REQ.)	1218		X
15	HOLE PLUG	1208	X	X
16	HOLE PLUG	1207	X	X

TABLE

ALL MODELS



ITEM	DESCRIPTION	PART NUMBER
	TABLE ASSEMBLY	1277
1	● TABLE, STAINLESS STEEL	1168
2	● TABLE SUPPORT	1057
3	● TABLE FASTENER (4 REQ.)	976-1
4	TABLE SCREW (2 REQ.)	1058
5	HOLE PLUG (2 REQ.) NOT SHOWN	977-3
6	TABLE SHIMS (AS NEEDED)	337-A
7	HOLE PLUGS, OVAL (2 REQ.)	520000

KNIFE RIM GUARD

ALL MODELS

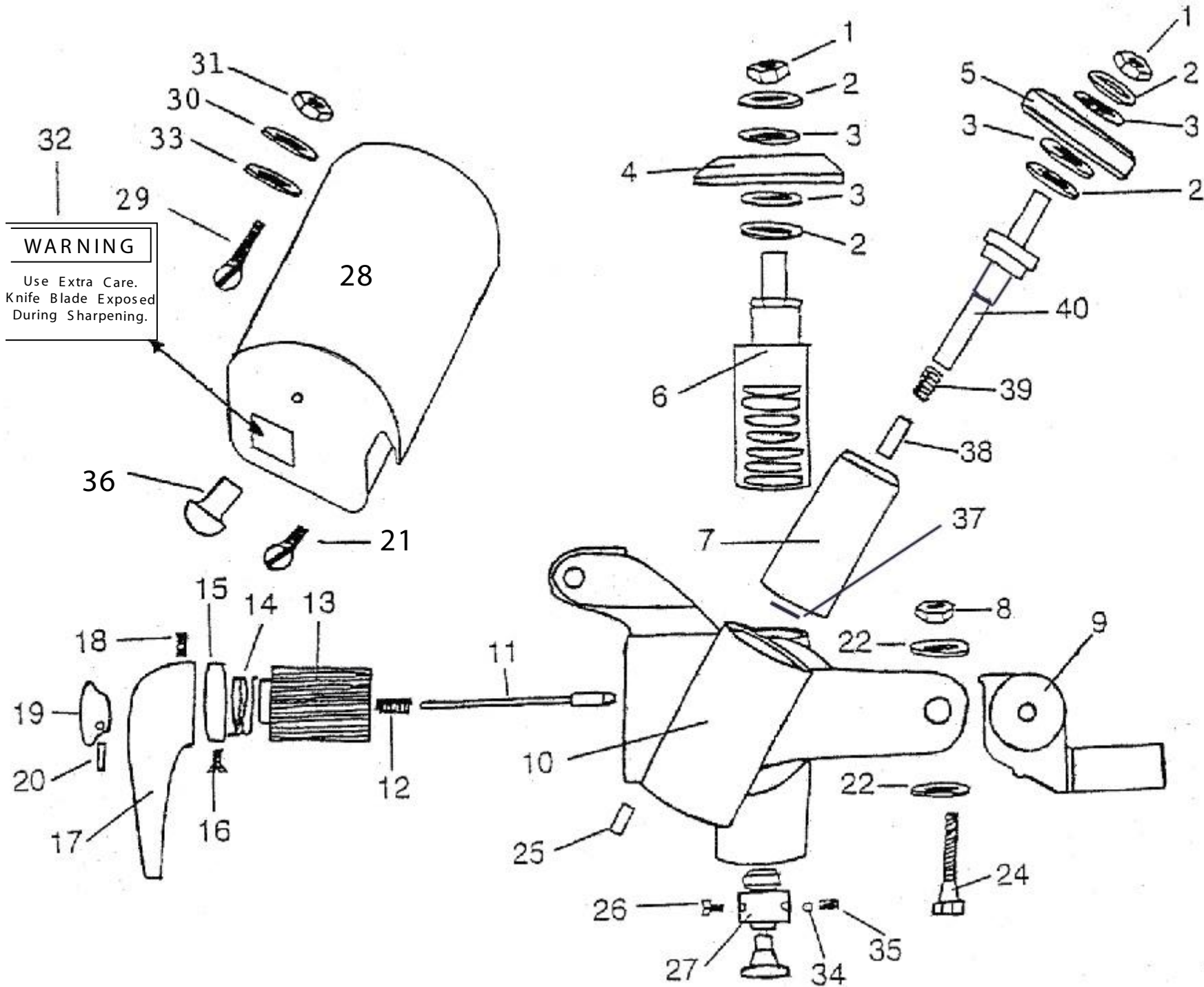


ITEM	DESCRIPTION	PART NUMBER
1	KNIFE RIM GUARD ASSEMBLY	1132
2	UPPER KNIFE RIM GUARD	1283
3	KNIFE RIM GUARD BRACKET	230000
4	SCREW (2 REQ.)	1238
5	HOLE PLUG (2 REQ.)	1211
6	SCREW	1217
7	BOLT	810050
8	TRIM RING	1031
9	TRIM RING	1032
10	SCREW	1239
11	WASHER	763-4A
12	SET SCREW	1245
13	COVER	320010

SHARPENER

ALL MODELS

ITEM	DESCRIPTION	PART NUMBER	AFTER SN 460287 485153 , 497183
	SHARPENER ASSEMBLY WITH COVER	070040	
	SHARPENER ASSEMBLY WITHOUT COVER	070041	
1	● SHARPENER STONE NUT	228	
2	● SHARPENER STONE WASHER (STEEL)	229	
3	● SHARPENER STONE WASHER (FIBRE)	229-1	
4	● SHARPENER TRUING STONE	213	
5	● SHARPENER GRINDING STONE	214-A	
6	● SHARPENER TRUING SHAFT ASSEMBLY	467-AS	
7	● SHARPENER GRINDING SHAFT ASSEMBLY	463-AS	463-AS
8	● SHARPENER HINGE BOLT NUT	286	
9	● SHARPENER BRACKET	240020	
10	● SHARPENER HOUSING	450-H	
11	● SHARPENER LOCK ROD ASSEMBLY	456-AS	
12	● SHARPENER LOCK SPRING	458	
13	● SHARPENER GEAR	455	
14	● SHARPENER GEAR RETURNING SPRING	460	
15	● SHARPENER GEAR SPACER RING	459	
16	● SHARPENER GEAR SPACER RING SCREW	470-1	
17	● SHARPENER HANDLE	495	
18	● SHARPENER HANDLE SET SCREW	495-1	
19	● SHARPENER LOCK KNOB	461	
20	● SHARPENER LOCK ROD KNOB PIN	287-2	
22	● SHARPENER HINGE BOLT WASHER	286-1	
24	● SHARPENER HINGE BOLT	475	
25	● SHARPENER SLEEVE PIN	300	
26	● SHARPENER STOP BUSHING SCREW	470-1	
27	● SHARPENER TRUING STONE STOP ASSEMBLY	471-AS	
34	● BALL, STOP BUSHING	290	
35	● SPRING, STOP BUSHING	238	
37	● SCREW, SHAFT RETAINING/RETAINING E-CLIP	462-1	880030
38	● PIN, STOP SHAFT/SPACER BUSHINGS	464	820032
39	● SPRING	465	880040
40	● SHAFT	463	420030
28	SHARPENER COVER	1041	
29	SHARPENER COVER HINGE SCREW	825-1	
30	SHARPENER COVER HINGE SCREW WASHER	825-2	
31	SHARPENER COVER HINGE NUT	825-3	
32	SHARPENER COVER WARNING DECAL (ENGLISH)	967-2	
	SHARPENER COVER WARNING DECAL (SPANISH)	967-2S	
33	SHARPENER COVER TENSION WASHER	761-6	
21	KNOB SCREW	1258	
36	KNOB	1138	



BEARING ASSEMBLY

ALL MODELS

PART NUMBER	DESCRIPTION
1094	BEARING ASSEMBLY WITH KNIFE LOCATING HUB
1090	● KNIFE LOCATING HUB
1106	● KEY
1037-AS	● UPPER BEARING HOUSING ASSEMBLY
972-5P	● BEARING, LARGE
1088	● RETAINING RING
1085	● KNIFE SHAFT
1086	● KEY
1084	● NYLON GEAR
1083	● SPACER
1087	● RETAINING RING
972-8P	● BEARING, SMALL
1215	BOWED WASHER
1221	THRUST WASHER
1237	● STAND OFF
1241	GASKET
1089	SCREW(4 REQUIRED) NOT SHOWN

NOTES

The 1084 was reintroduced for production in March of 2003. The Grey Nylotrol gear will work with any existing worm gear however for best results order the new 1059 in a 410031 kit when replacing the 1084.

The 1094 bearing assembly is now shipped with the grey knife gear and will work with any existing worm gear, however for best results order a 400011 kit which includes 1059 and all hardware.

The 1059 metal worm gear was redesigned in March of 2003. This gear must be ordered with a 1094 nylon gear part number 410031, and can never be used with the 410030 brass knife gear found on some machines.

BEARING ASSEMBLY

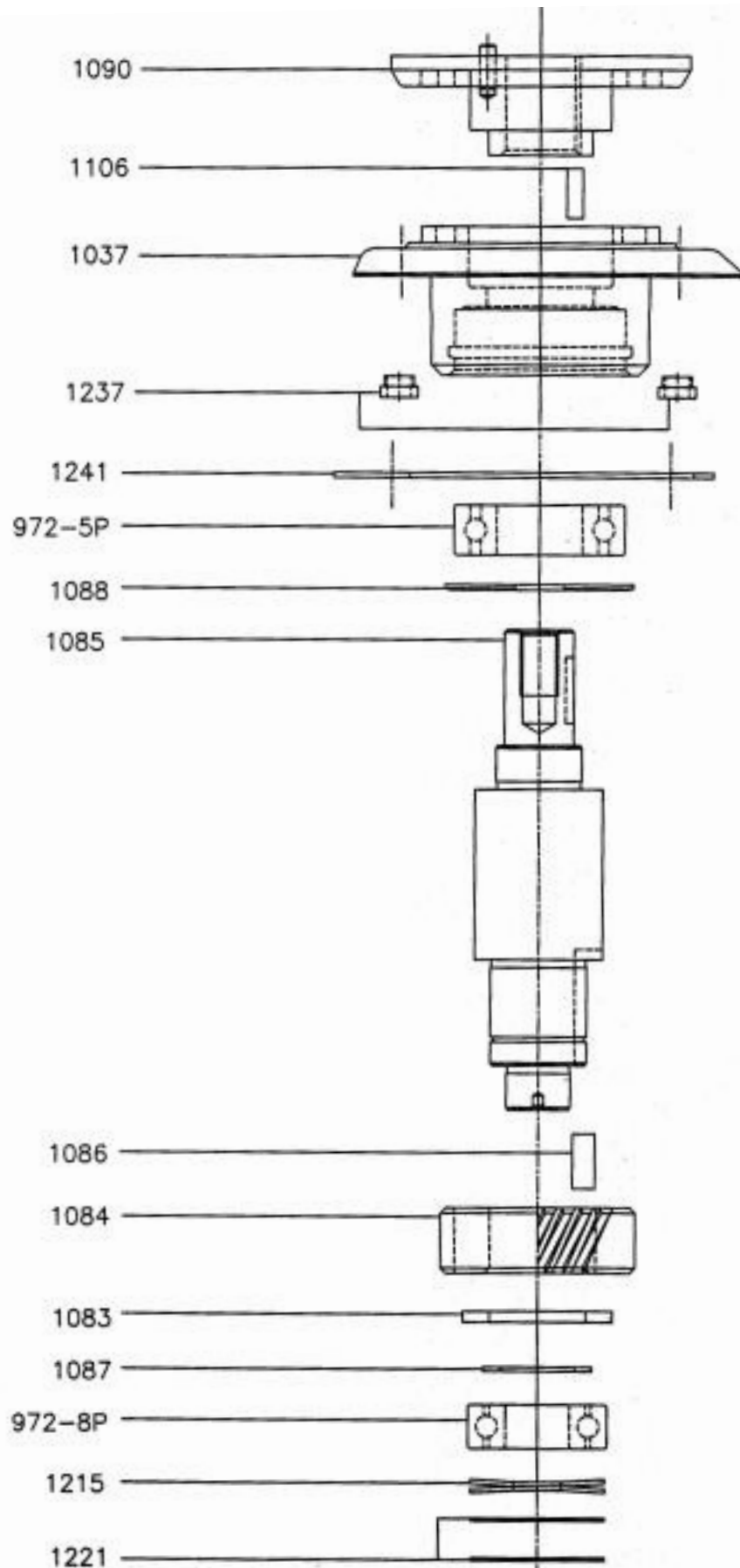
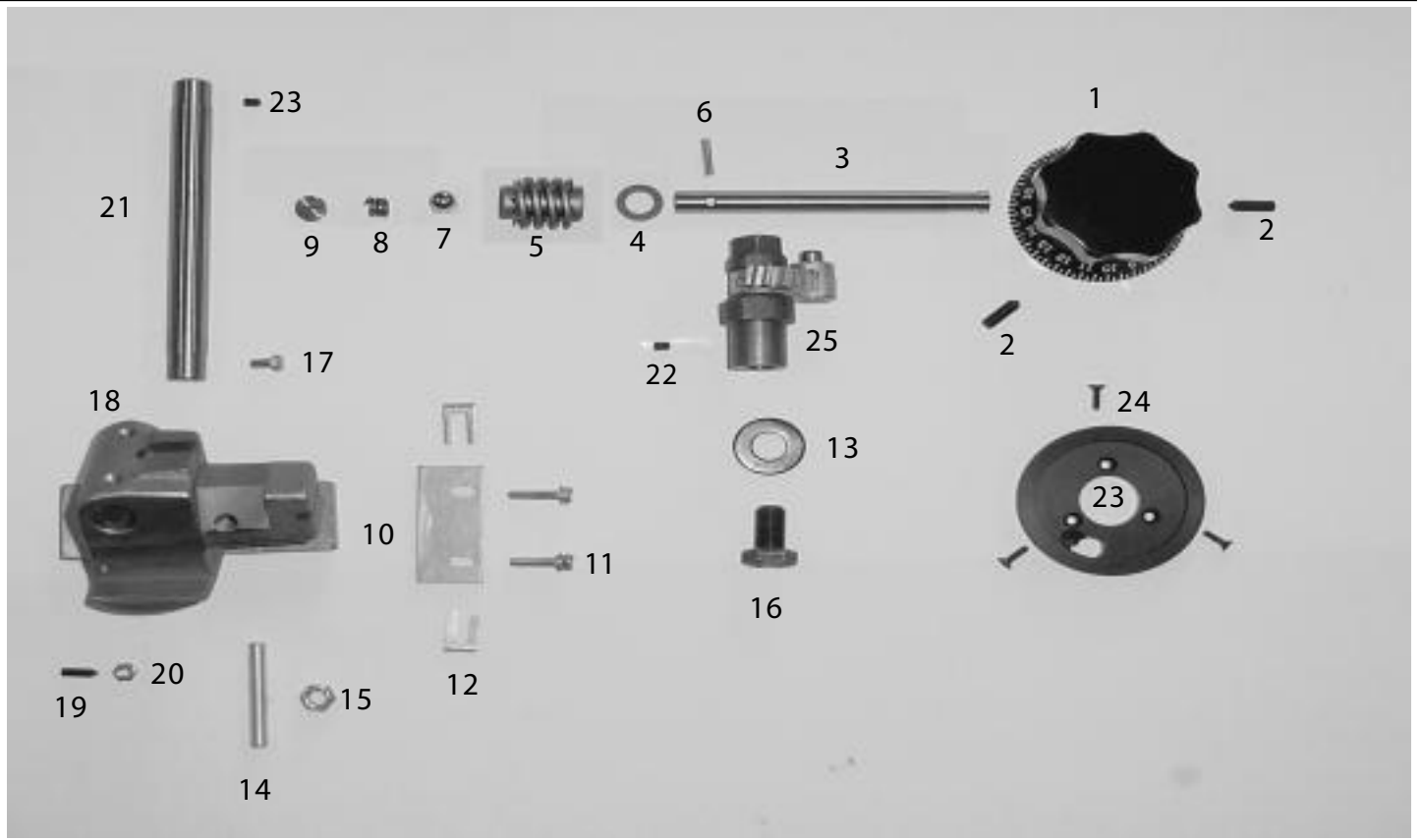
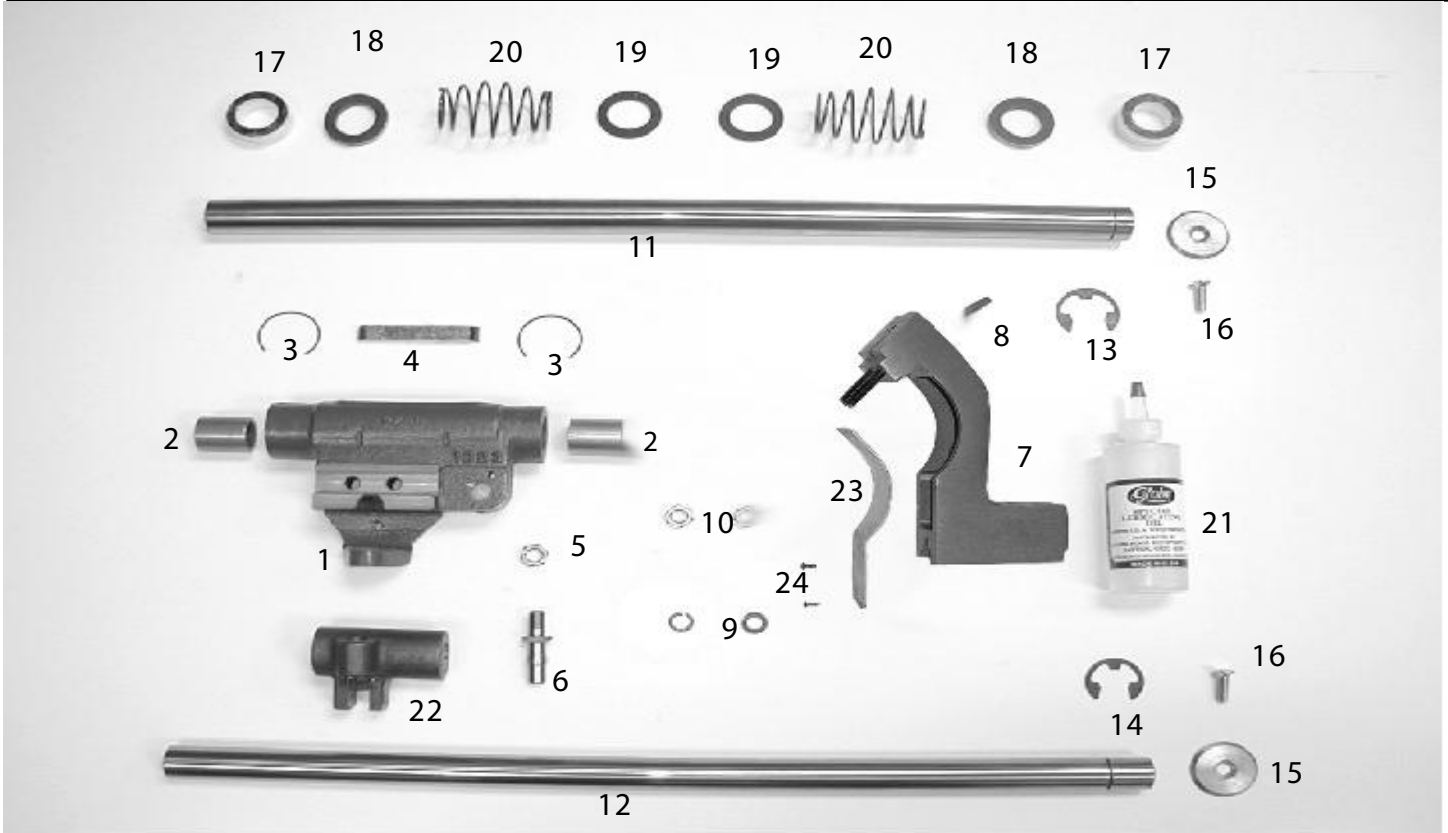


TABLE ADJUSTMENT COMPONENTS



ITEM	DESCRIPTION	PART NUMBER
1	TABLE ADJUSTMENT KNOB	407-1E
2	SET SCREW (2 REQ.)	356-1
3	KNOB SHAFT	864
4	WASHER, WORM GEAR	359
5	WORM GEAR	1147
6	PIN, WORM GEAR	360
7	BALL	362
8	SPRING, TENSION	1200
9	THRUST SCREW	361-1
10	SLIDE GUIDE	1259
11	SCREW (2 REQ.)	1307
12	SLIDE GUIDE SHIM (VARIOUS THICKNESS)	349-A
13	FLAT WASHER	881-4
14	STOP SCREW	1310
15	NUT	478-2
16	HEX SCREW	335
17	SCREW	975-1
18	TABLE SLIDE ASSEMBLY /CARBON STEEL	200020
	TABLE SLIDE ASSEMBLY /STAINLESS STEEL	200021
	● TABLE SLIDE	ASSEMBLY
19	● SET SCREW (2 REQ.)	760-5
20	● LOCK NUT	168-1
21	● STAINLESS STEEL TABLE SLIDE SHAFT	1281
	● CARBON STEEL TABLE SLIDE SHAFT	1027
22	SET SCREW	700-3
23	TABLE KNOB INSERT	407-34
24	TABLE INSERT SCREW	407-33
25	TABLE ADJUSTING GEAR ASSEMBLY	453-AS

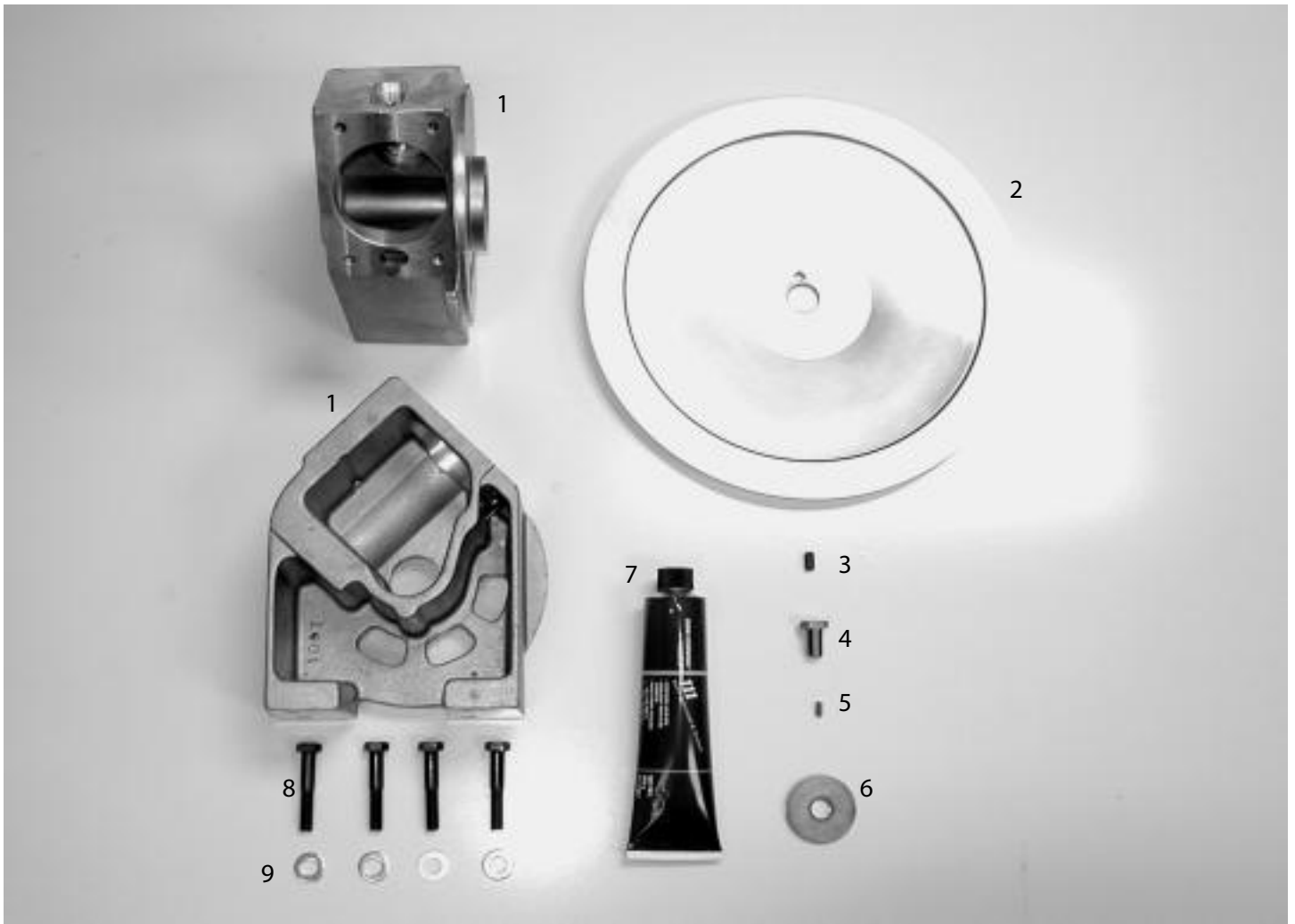
SLIDE SYSTEM



ITEM	DESCRIPTION	PART NUMBER	AUTOMATICS	MANUAL
1	UPPER SLIDE ASSEMBLY	1278	X	X
2	● SLIDE BUSHING (2 REQ.)	436-7	X	X
3	● OIL FELT SPRING CLIP (2 REQ.)	436-4	X	X
4	● NUT	228	X	X
5	● SLIDE ROD BUSHING STUD	241-B	X	X
6	● OIL FELT	436-3	X	X
7	CHUTE RECEIVER ASSEMBLY(AUTO)	990	X	
7	CHUTE RECEIVER ASSEMBLY(MANUAL)	990-M		X
8	SCREW	167-1	X	X
9	LOCK WASHER (2 REQ.)	245-A	X	X
10	NUT (2 REQ.)	478-2	X	X
11	UPPER SLIDE ROD, CARBON 1"	857	X	X
11	UPPER SLIDE ROD, STAINLESS STEEL 1"	857-S	X	X
12	LOWER SLIDE ROD, CARBON 7/8"	858	X	X
12	LOWER SLIDE ROD, STAINLESS STEEL 7/8"	858-S	X	X
13	UPPER RETAINING CLIP	857-1	X	X
14	LOWER RETAINING CLIP	858-1	X	X
15	SLIDE BAR WASHER (2 REQ.)	859	X	X
16	SCREW (2 REQ.)	859-1	X	X
17	UPPER SLIDE ROD BUMPER (2 REQ.)	436-1U		X
18	SLIDE BUMPER (2 REQ.)	918	X	
19	SLIDE BUMPER 1/4" (2 REQ.)	436-1	X	
20	SPRING, UPPER SLIDE ROD (2 REQ.)	919-4	X	
21	LUBRICATING OIL	519	X	X
22	LOWER SLIDE BUSHING	436-3	X	X
23	CHUTE RECEIVER COVER	990-3		
24	SCREWS(6 REQUIRED)	990-6		

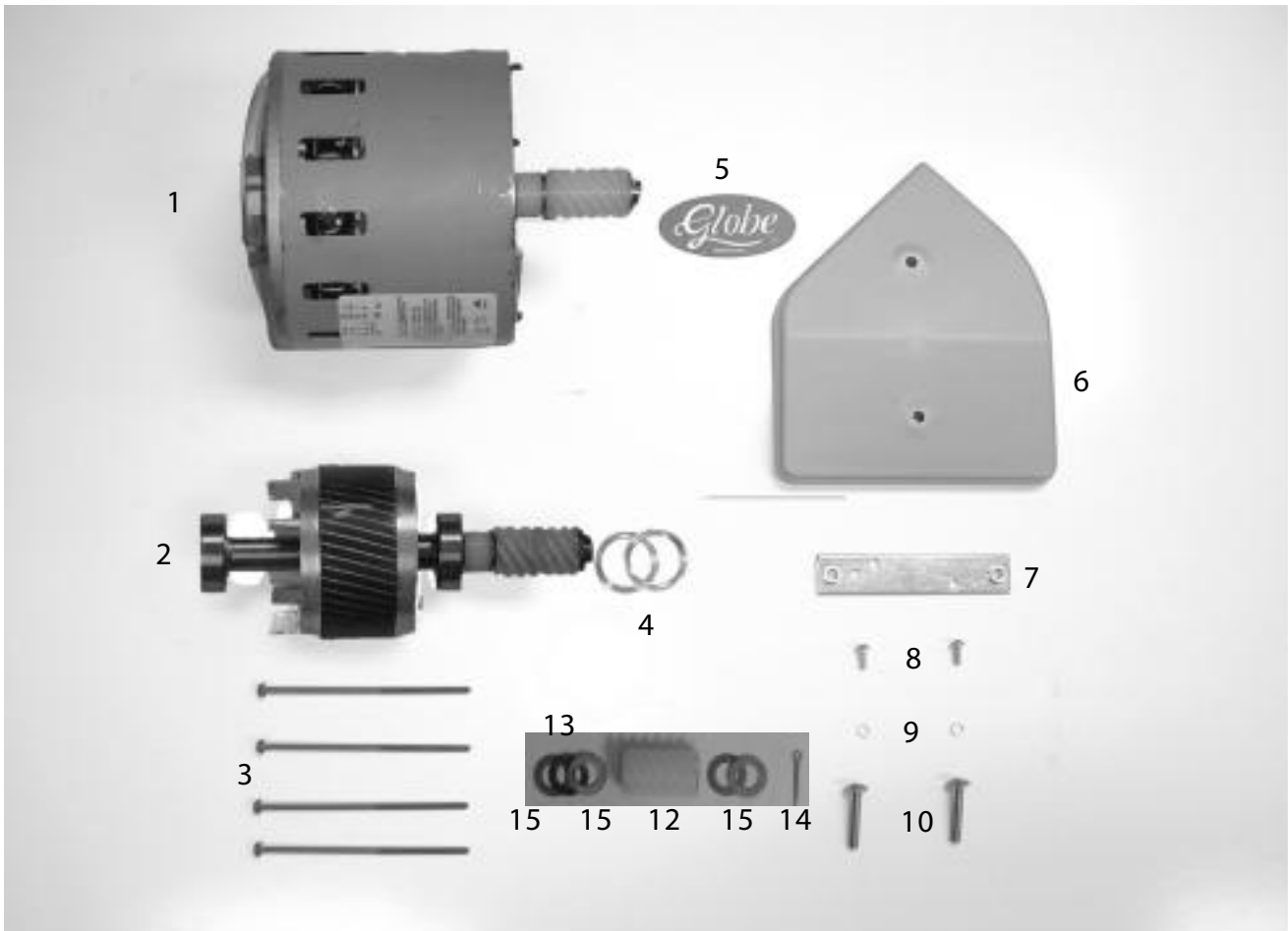
GEAR HOUSING AND KNIFE

ALL MODELS



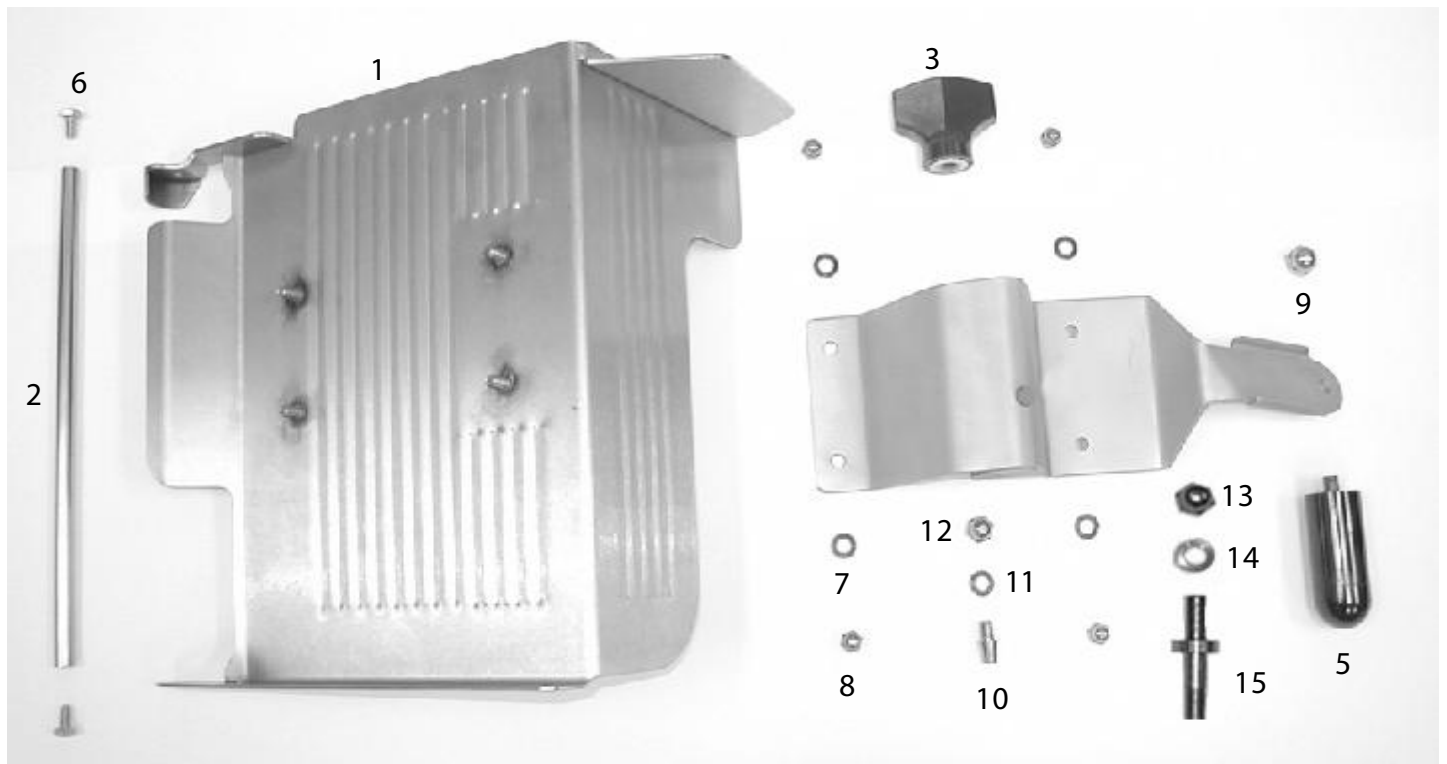
ITEM	DESCRIPTION	PART NUMBER
1	GEAR HOUSING	1007
2	CARBON KNIFE	1021
	STAINLESS STEEL KNIFE	1022
	KNIFE BOLT ASSEMBLY	1195
3	● PLUG	1193
4	● BOLT	1093
5	● SET SCREW	1194
6	FLAT WASHER	1092
7	SILICON LUBRICANT	521-D
8	HEX BOLT (4 REQ.)	369-1
9	FLAT WASHER (4 REQ.)	763-4A

MOTOR COMPONENTS



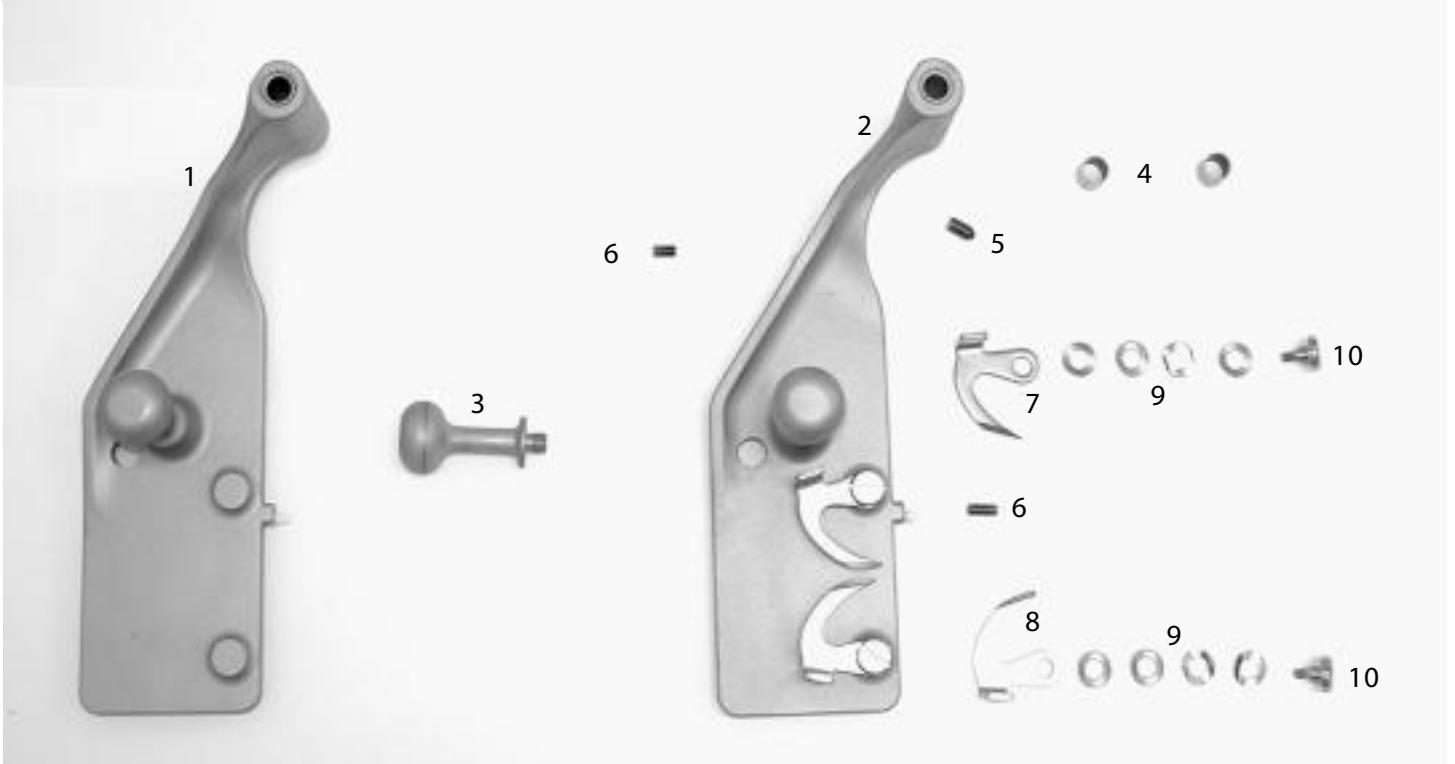
ITEM	DESCRIPTION	PART NUMBER
1	MOTOR ASSEMBLY 115 VAC / 60 Hz / 1 PH	1049
	MOTOR ASSEMBLY 115 VAC / 60 Hz / 1 PH w/RESET	1322
	MOTOR ASSEMBLY 230 VAC / 50 Hz / 1 PH w/RESET	1323
2	MOTOR ROTOR 115 VAC / 60 Hz / 1 PH	1204
	MOTOR ROTOR 230 VAC / 50 Hz / 1 PH	1354
3	MOTOR SCREW (4 REQ.)	1205
4	BOWED WASHER (2 REQ.)	1317
5	GLOBE LOGO	871-2
6	MOTOR COVER	1142
	MOTOR COVER w/RESET HOLE	1311
7	MOTOR COVER RETAINER	1213
8	SCREW (2 REQ.)	1251
9	LOCK WASHER (2 REQ.)	1252
10	SCREW (2 REQ.)	1253
11	MOTOR RESET BUTTON (NOT SHOWN)	1214
12	MOTOR GEAR	*410020*
13	BOWED WASHER (4 REQ.)	810
14	COTTER PIN	390
15	WASHER (4 REQ.)	809
16	KEY, SQUARE	1372
*	FOR NEW MOTOR GEAR ORDER 410021 KIT.	

STAINLESS STEEL CHUTE AND SUPPORT



ITEM	DESCRIPTION	PART NUMBER	AUTOMATICS	MANUAL
	12" S.S. CHUTE ASSEMBLY W/O PRONGS	102-AS-12		X
	12" S.S. CHUTE ASSEMBLY W PRONGS	102-AS-13	X	
1	● 12" CHUTE	962-S	X	X
2	● END WEIGHT ROD 11 1/8" LONG	962-18S	X	X
3	● SUPPORT NUT	798-B	X	X
4	● CHUTE SUPPORT	962-1E	X	X
5	● CHUTE HANDLE	482-B	X	X
6	● SCREW (2 REQ.)	962-17	X	X
7	● WASHER (4 REQ.)	825-2	X	X
8	● ACORN NUT (4 REQ.)	962-6	X	X
9	● ACORN NUT	699-32	X	X
10	● LOCK BACK STUD	962-5	X	X
11	● LOCK WASHER	245-A	X	X
12	● ACORN NUT	962-7	X	X
13	● ACORN NUT	699-32	X	X
14	● WASHER	245-A	X	X
15	● CHUTE STUD	962-10-AS	X	X

END WEIGHTS



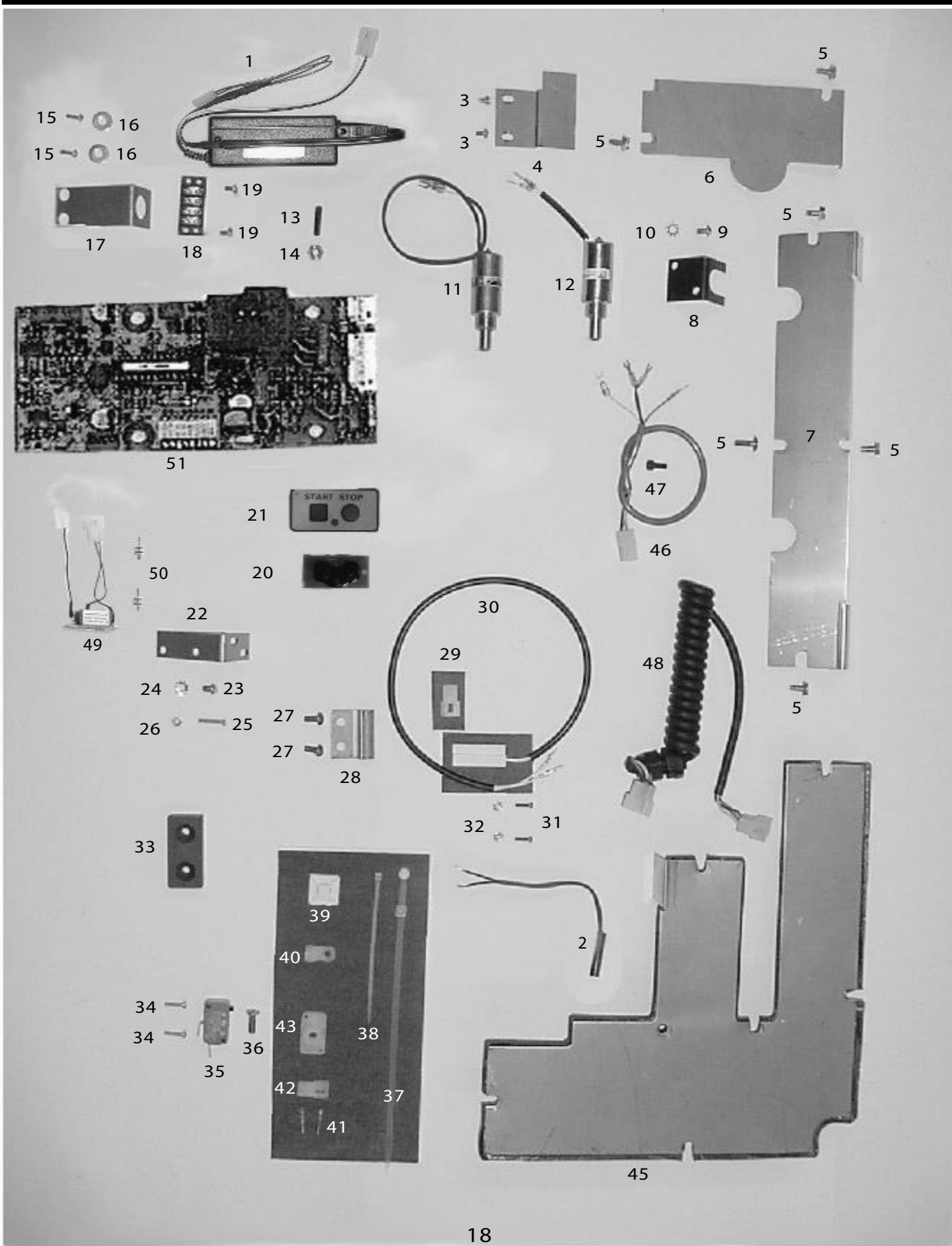
ITEM	DESCRIPTION	PART NUMBER	AUTOMATICS	MANUAL
	S.S. END WEIGHT ASSEMBLY W/O PRONGS	741-SS-AS		X
	S.S. END WEIGHT ASSEMBLY W PRONGS	741-SS-APC	X	
1	● S.S. MANUAL END WEIGHT	741-SS1		X
2	● S. S. AUTOMATIC END WEIGHT	741-SS2	X	
3	● S. S. END WEIGHT HANDLE	741-SS3	X	X
4	● END WEIGHT BUSHING (2 REQ.)	741-6	X	X
5	● END WEIGHT REST BUMPER	741-4A	X	X
6	● END WEIGHT SPACER BUMPER (2 REQ.)	741-5B	X	X
7	● END WEIGHT PRONG RIGHT	741-PC2	X	
8	● END WEIGHT PRONG LEFT	741-PC3	X	
9	● PRONG SPRING WASHER (8 REQ.)	741-PC5	X	
10	● PRONG SHOULDER SCREW (2 REQ.)	741-SS4	X	

MANUAL ELECTRICAL SYSTEM "REV. A"

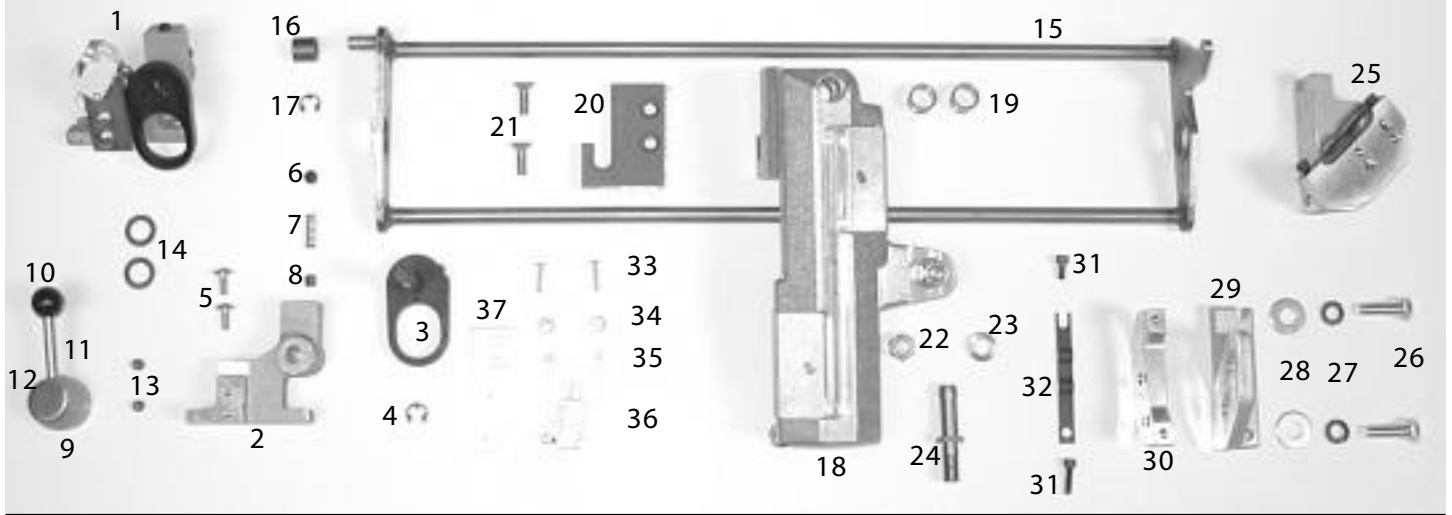
ALL MANUAL MODELS

ITEM	DESCRIPTION	PRIOR TO SN 460198	AFTER SN 460197
1	POWER SUPPLY	1379	130060
2	PROXIMITY SWITCH(CHUTE RECEIVER ARM)	995-2AS	
3	SCREW	990-6	
4	LOWER CHUTE COVER	1339	
5	SCREW (6 REQ)	889	
6	WIREWAY COVER	1137	
7	WIREWAY COVER	1136	
8	BUNGEE SUPPORT BRACKET	1364	
9	SCREWS FOR SUPPORT BRACKET	854-6	
10	WASHERS FOR ABOVE	854-7	
11	TABLE KNOB SOLENOID	995-1AS-2	130090
12	CHUTE RECEIVER ARM SOLENOID	995-1AS-1	
13	SET SCREW	760-4	
14	LOCK NUT	760-5	
15	SCREW	990-6	
16	WASHER	1252	
17	SOLENOID BRACKET, CHUTE RECEIVER ARM	990-1	
18	TERMINAL BLOCK, CHUTE RECEIVER ARM	995-24	
19	TERMINAL BLOCK SCREWS	995-31	
20	START/STOP PCB	1350	
21	SWITCH COVER	1157	
22	BRACKET	1341	
23	SCREW	854-6	
24	WASHER	854-7	
25	SCREW	854-2	
26	NUT	854-3	
27	SCREW	1223	
28	RETAINER	1133	
29	PLUG CONNECTOR	1178-P	130140
30	SAFETY PROXIMITY SWITCH (3 REQUIRED)	1178	130020
31	SENSOR SCREW	854-2	
32	SENSOR NUT	854-3	
33	MAGNET	985-1	
34	MICROSWITCH SCREW	854-2	
35	CHUTE KNOB MICROSWITCH	854-1	
36	SCREW	855-3	
37	WIRE TIE	890010	
38	WIRE TIE	995-26	
39	WIRE TIE SUPPORT	995-18	
40	TIE DOWN	869-A2	
41	SOLDERLESS CONNECTOR MOTOR	1256	130150
42	PLUG CONNECTOR MOTOR (LESS PART # 41)	1257	130140
43	MICROSWITCH SPACER	1135	
44	WIRE COVER GASKET	1192	
45	WIRE COVER	1135	
46	CHUTE ARM HARNESS WITH CONNECTOR	1340	130040
47	SCREWS	1165	
48	BUNGEE CORD	1054	130130
49	SOLID STATE MOTOR START SWITCH	1358	130050
50	STANDOFF(2 REQUIRED)	1250	
51	LOGIC BOARD	1349	
NOT SHOWN	RIBBON CABLE	1367	
	WIRING HARNESS 115 VOLT	1365	130120

MANUAL ELECTRICAL SYSTEM "REV. A"

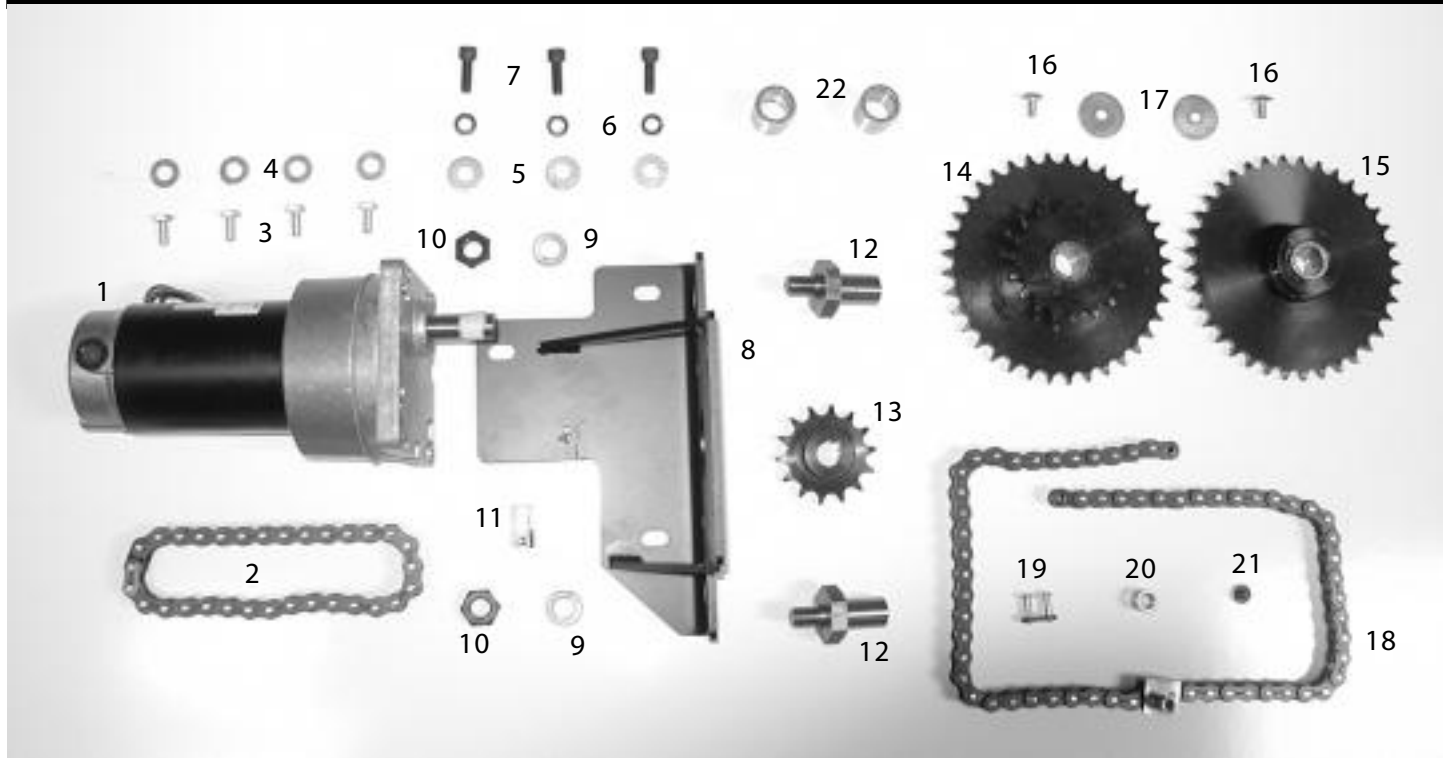


AUTOMATIC SLIDE SYSTEM



ITEM	DESCRIPTION	PART NUMBER
1	AUTO MANUAL LEVER ASSEMBLY	1360
2	● BRACKET AUTO ENGAGE	1055
3	● CAM ASSEMBLY	1145
4	● C CLIP	940-10
5	● SCREW (2 REQ.)	900-1
6	● SET SCREW	1291
7	● SPRING	1300
8	● PLUG	1193
9	AUTOENGAGE LEVER ASSEMBLY	1029
10	● KNOB	1202
11	● SHAFT	1028
12	● ENGAGE HUB	1026
13	● SET SCREW (2 REQ.)	706
14	FIBER WASHER (2 REQ.)	359
15	ROCKER ASSEMBLY	1104
16	● CAM ROLLER	1102
17	● C CLIP	940-10
18	CHAIN SLIDE ASSEMBLY	1308
19	● BEARING (2 REQ.)	1166
20	● ACCTUATOR	1119
21	● SCREW (2 REQ.)	1089
22	● LOCK NUT	1297
23	● LOCK WASHER	962-13
24	● ECCENTRIC STUD	1080
25	ENGAGEMENT SPRING ASSEMBLY	1361
26	● SCREW (2 REQ.)	1295
27	● LOCK WASHER (2 REQ.)	245-A
28	● FLAT WASHER (2 REQ.)	1288
29	● SPRING RETAINER MOUNT	1143
30	● SPRING RETAINER	1144
31	● SCREW (2 REQ.)	1352
32	● ENGAGEMENT SPRING	1146
33	SCREW (2 REQ.)	854-2
34	LOCK WASHER (2 REQ.)	854-7
35	NUT (2 REQ.)	854-3
36	MICRO SWITCH	1263
37	SWITCH BRACKET	1053

AUTOMATIC DRIVE SYSTEM



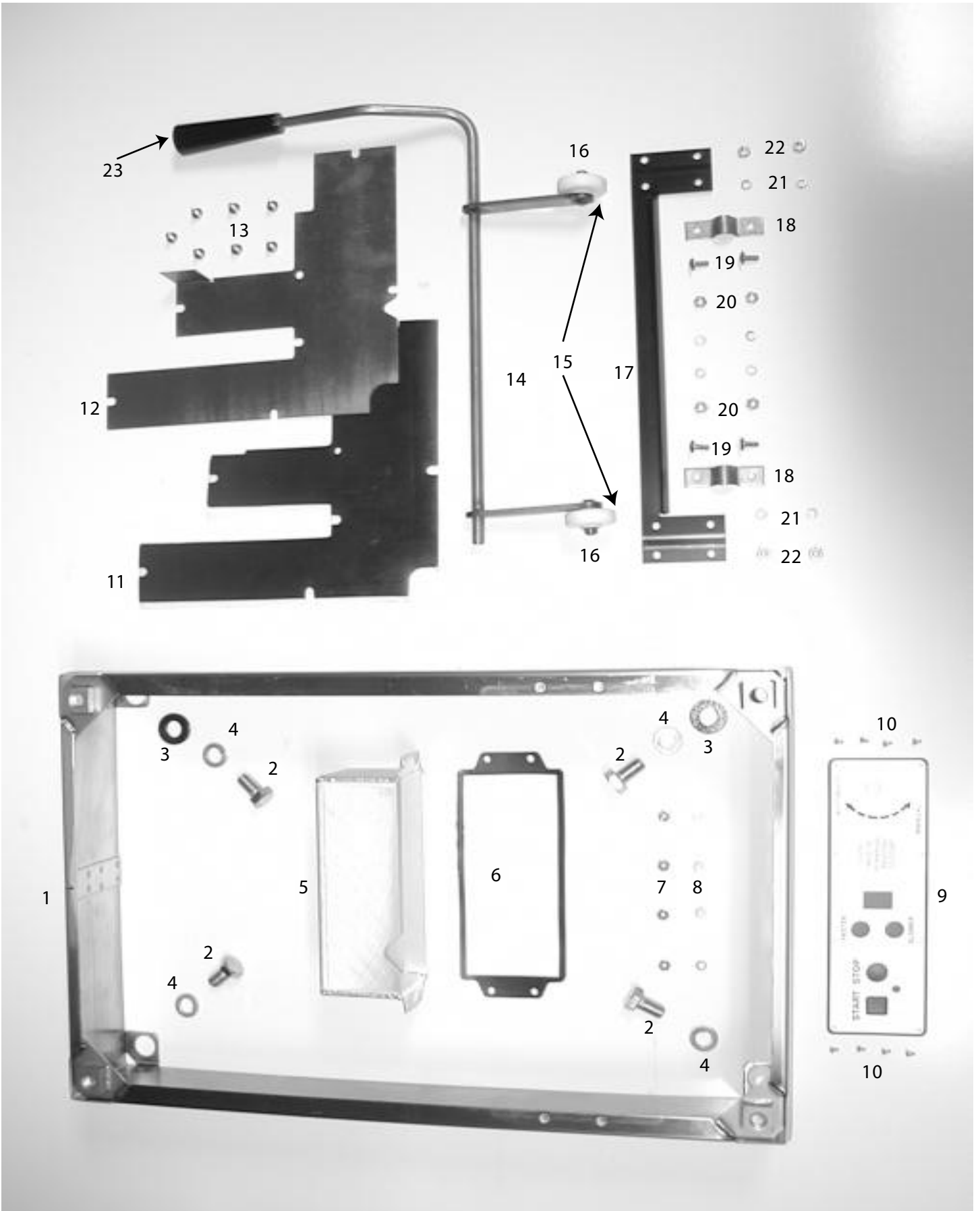
ITEM	DESCRIPTION	PART NUMBER
1	D.C. GEAR MOTOR	982-1
2	DRIVE CHAIN	1019
3	SCREW (4 REQ.)	627-C
4	FLAT WASHER (4 REQ.)	825-2
5	FLAT WASHER (3 REQ.)	1288
6	LOCK WASHER (3 REQ.)	245-A
7	CAP SCREW (3 REQ.)	1298
8	MOTOR MOUNT BRACKET	1082
9	LOCK WASHER (2 REQ.)	815
10	NUT (2 REQ.)	646
11	WIRE CONNECTOR	982-1-MH
12	SPROCKET STUD (2 REQ.)	1118
13	MOTOR SPROCKET	1030
14	18 + 36 TOOTH SPROCKET/WITH BUSHING	1285
15	36 TOOTH SPROCKET/WITH BUSHING	1286
16	SCREW (2 REQ.)	609
17	SPROCKET WASHER (2 REQ.)	608
18	AUTO DRIVE CHAIN ASSEMBLY	1020
19	● MASTER LINK	1336
20	● CAM FOLLOWER	1097
21	● CAM SCREW	1107
22	SPROCKET BUSHING (2 REQ.)	1128

AUTOMATIC BASE APRON & LIFT LEVER ASSEMBLY

ALL AUTOMATIC MODELS

ITEM	DESCRIPTION	PART NUMBER
1	BASE APRON	1046
2	BOLT (4 REQ.)	813
3	FLAT WASHER (2 REQ.)	881-4
4	LOCK WASHER (4 REQ.)	815
5	BOX COVER, ELECTRICAL	1228
6	GASKET	1274
7	NUT (4 REQ.)	765-5
8	LOCK WASHER (4 REQ.)	1252
9	OVERLAY, TOUCH PAD	1159
10	DRIVE SCREW (8 REQ.)	851-6P
11	GASKET	1192
12	COVER, WIRE WAY	1135
13	SCREW (7 REQ.)	889
	LIFT LEVER ASSEMBLY	1161
14	● LIFT LEVER	1154
15	● WHEEL (2 REQ.)	951-7
16	● CLIP (2 REQ.)	1156
17	SUPPORT, LIFT LEVER	1155
18	PIVOT ROD CLIP (2 REQ.)	951-2
19	SCREW (4 REQ.)	900-1
20	NUT (4 REQ.)	760-5
21	LOCK WASHER (4 REQ.)	1252
22	NUT (4 REQ.)	1276
23	● HANDLE	951-8

AUTOMATIC BASE APRON & LIFT LEVER ASSEMBLY

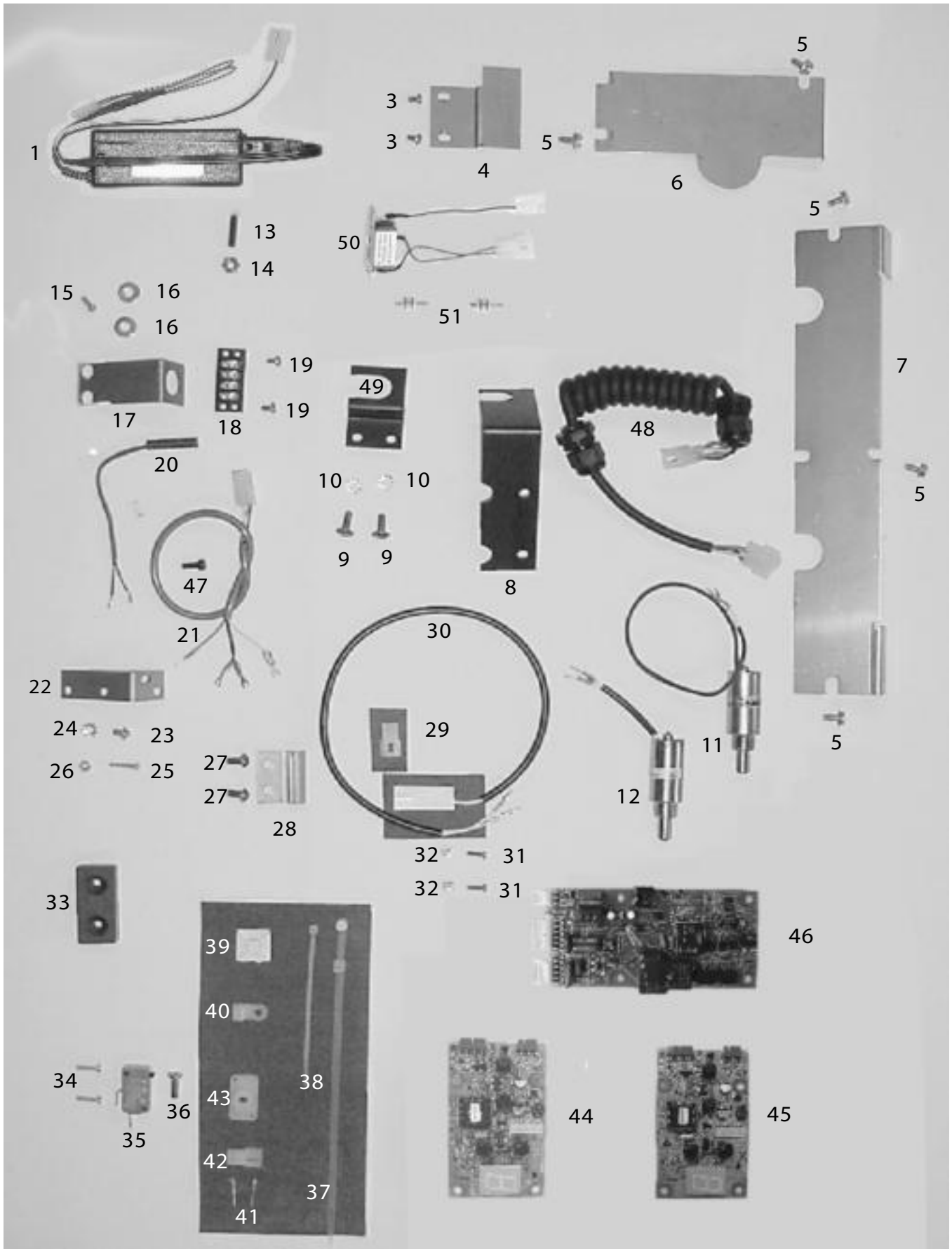


AUTOMATIC ELECTRICAL SYSTEM "REV. A"

ALL AUTOMATIC MODELS

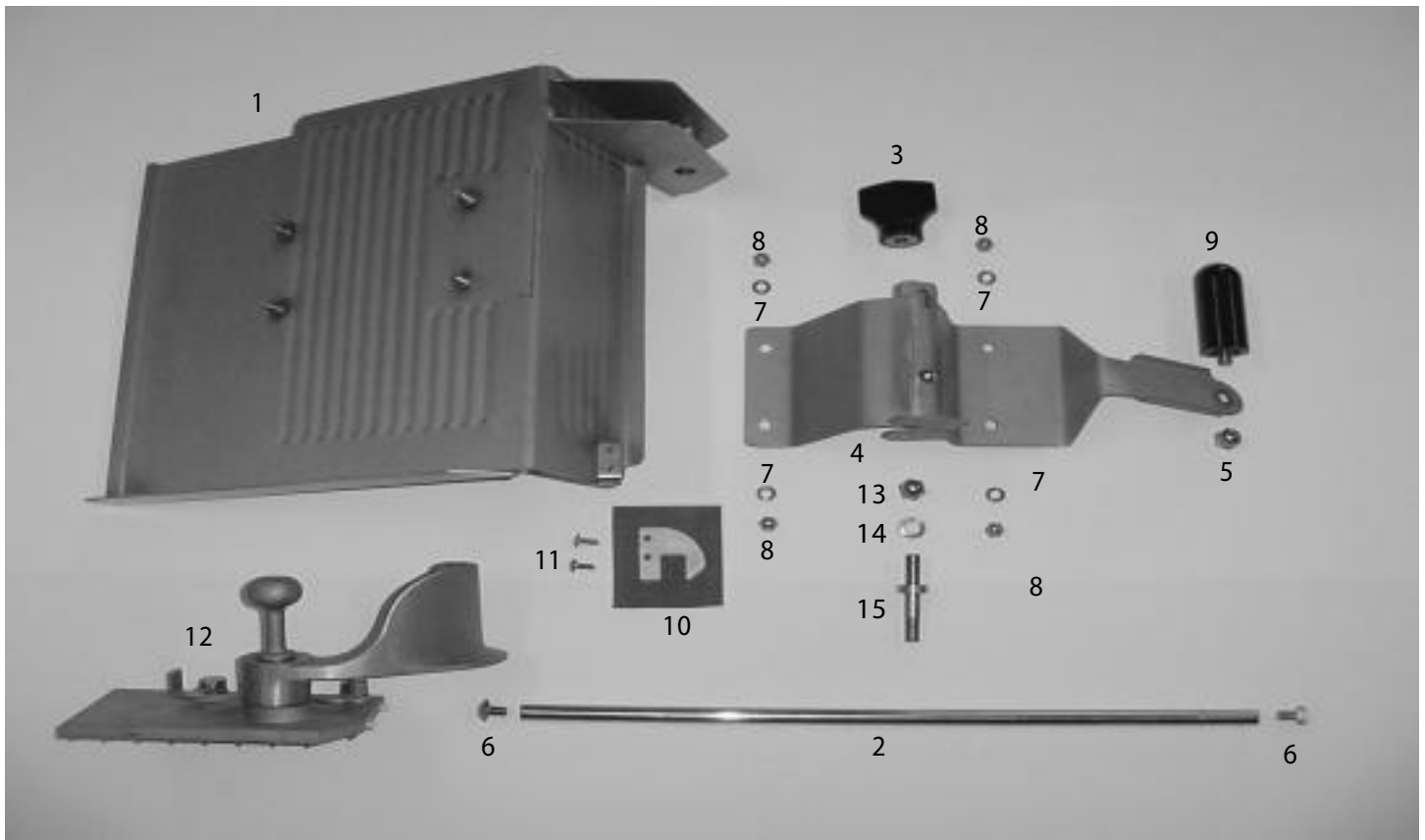
ITEM	DESCRIPTION	PRIOR TO SN 485123	AFTER SN 485123
		AND 497133	AND 497133
1	POWER SUPPLY	1379	130060
3	SCREW	990-6	
4	LOWER CHUTE ARM COVER	1339	
5	SCREW (6 REQ)	889	
6	WIREWAY COVER	1137	
7	WIREWAY COVER	1136	
8	BUNGEE SUPPORT BRACKET	1364	
9	SCREWS FOR SUPPORT BRACKET	854-6	
10	WASHERS FOR ABOVE	854-7	
11	TABLE KNOB SOLENOID	995-1AS-2	130090
12	CHUTE RECEIVER ARM SOLENOID	995-1AS-1	
13	SET SCREW	760-4	
14	LOCK NUT	760-5	
15	SCREW	990-6	
16	WASHER	1252	
17	SOLENOID BRACKET, CHUTE RECEIVER ARM	990-1	
18	TERMINAL BLOCK, CHUTE RECEIVER ARM	995-24	
19	TERMINAL BLOCK SCREWS	995-31	
20	PROXIMITY SWITCH (CHUTE RECEIVER ARM)	995-2AS	
21	CHUTE ARM RECEIVER WIRING HARNESS	1340	
22	BRACKET	1341	
23	SCREW	854-6	
24	WASHER	854-7	
25	SCREW	854-2	
26	NUT	854-3	
27	SCREW	1223	
28	RETAINER	1133	
29	PLUG CONNECTOR	1178-P	130140
30	SAFETY PROXIMITY SWITCH (3 REQUIRED)	1178	130020
31	SENSOR SCREW	995-31	
32	SENSOR NUT	854-3	
33	MAGNET	985-1	
34	MICROSWITCH SCREW	854-2	
35	CHUTE KNOB MICROSWITCH	854-1	
36	SCREW	855-3	
37	WIRE TIE	890010	
38	WIRE TIE	995-26	
39	WIRE TIE SUPPORT	995-18	
40	TIE DOWN	869-2	
41	SOLDERLESS CONNECTOR	1256	130150
42	PLUG CONNECTOR (LESS PART # 41)	1257	130140
43	MICROSWITCH SPACER	855-1A	
44	2 SPEED CONTROL BOARD (4850)	1345	
45	9 SPEED CONTROL BOARD (4975)	1347	
46	POWER CONTROL PCB	1344	
47	SCREWS	1165	
48	RETRACTABLE BUNGEE CORD	1376	130070
49	RETRACTABLE BUNGEE CORD BRACKET	1167	
50	MOTOR START SWITCH	1358	130050
51	MOTOR START SWITCH STAND OFF (2 REQ.)	1250	
52	RIBBON CABLE (NOT SHOWN)	1367	
53	WIRING HARNESS 115 VOLT (NOT SHOWN)	1366	130030

AUTOMATIC ELECTRICAL SYSTEM "REV. A"



FRONT MOUNTED END WEIGHT CHUTE ASSEMBLY

ALL MODELS



ITEM	DESCRIPTION	PART NUMBER
	FRONT MOUNTED END WEIGHT ASSEMBLY	102-AS-15
1	● FRONT MOUNTED END WEIGHT CHUTE	981
2	● END WEIGHT ROD	981-1
3	● SUPPORT NUT	798-B
4	● CHUTE SUPPORT	962-1E
5	● CHUTE HANDLE	482-B
6	● SCREW (2 REQ.)	981-2
7	● FLAT WASHER (4 REQ.)	825-2
8	● ACORN NUT (4 REQ.)	962-6
9	● ACORN NUT	699-32
10	● END WEIGHT REST	981-4
11	● SCREW (2 REQ.)	900-1
12	● END WEIGHT ASSEMBLY, FRONT MOUNTED	981-3AS
13	● ACORN NUT	699-32
14	● WASHER	245-A
15	● CHUTE STUD ASSEMBLY	962-10-AS

CHUTE FENCES ACCESSORY

ALL MODELS



ITEM	DESCRIPTION	PART NUMBER
1	FENCE ASSEMBLY 12" X 3"	1326
2	FENCE ASSEMBLY 12" X 1 3/8"	1047
3	● RETAINING RING	940-10
4	● CLAMP THUMB SCREW	1052

TOOL LIST



ITEM	DESCRIPTION	PART NUMBER
A	DIGITAL TEST METER	PURCHASE LOCALLY
B	CUT RESISTANT GLOVES	PURCHASE LOCALLY
C	POWER CORD LOCK-OUT BOX	PURCHASE LOCALLY
D	RUBBER / NYLON HAMMER	PURCHASE LOCALLY
E	1/2" - 9/16" THIN TAPPET WRENCH	PURCHASE LOCALLY
F	GEAR PULLER	PURCHASE LOCALLY
G	KNIFE ALIGNMENT TOOL	963-AT
H	KNIFE PLATE ASSEMBLY WRENCH	747-14ST
I	24" STRAIGHT EDGE	PURCHASE LOCALLY
J	SHARPENER SPRING TENSION TOOL	450-ST
K	1 1/16" DEEP WELL SOCKET	PURCHASE LOCALLY
L	BEARING TOOL	747-BT
M	1 1/4" PUMP WRENCH	PURCHASE LOCALLY

SCHEMATIC 4600

