

# Parts Catalogue



GL12

## SLICER MODEL: GL12

20-9-2004

**IMPORTANT!**

**TO EXPEDITE SHIPMENT OF PARTS, ALWAYS SPECIFY MODEL, REV,  
PART NUMBER, AND SERIAL NUMBER OF SLICER.**

### **GLOBE FOOD EQUIPMENT COMPANY**

2268 N. Moraine Drive

Dayton, Ohio 45439

Parts Department

Toll Free 1-800-745-6238 • Fax (937) 290-0585

E-Mail: [globeinfo@globeslicers.com](mailto:globeinfo@globeslicers.com)

Website: [www.globeslicers.com](http://www.globeslicers.com)

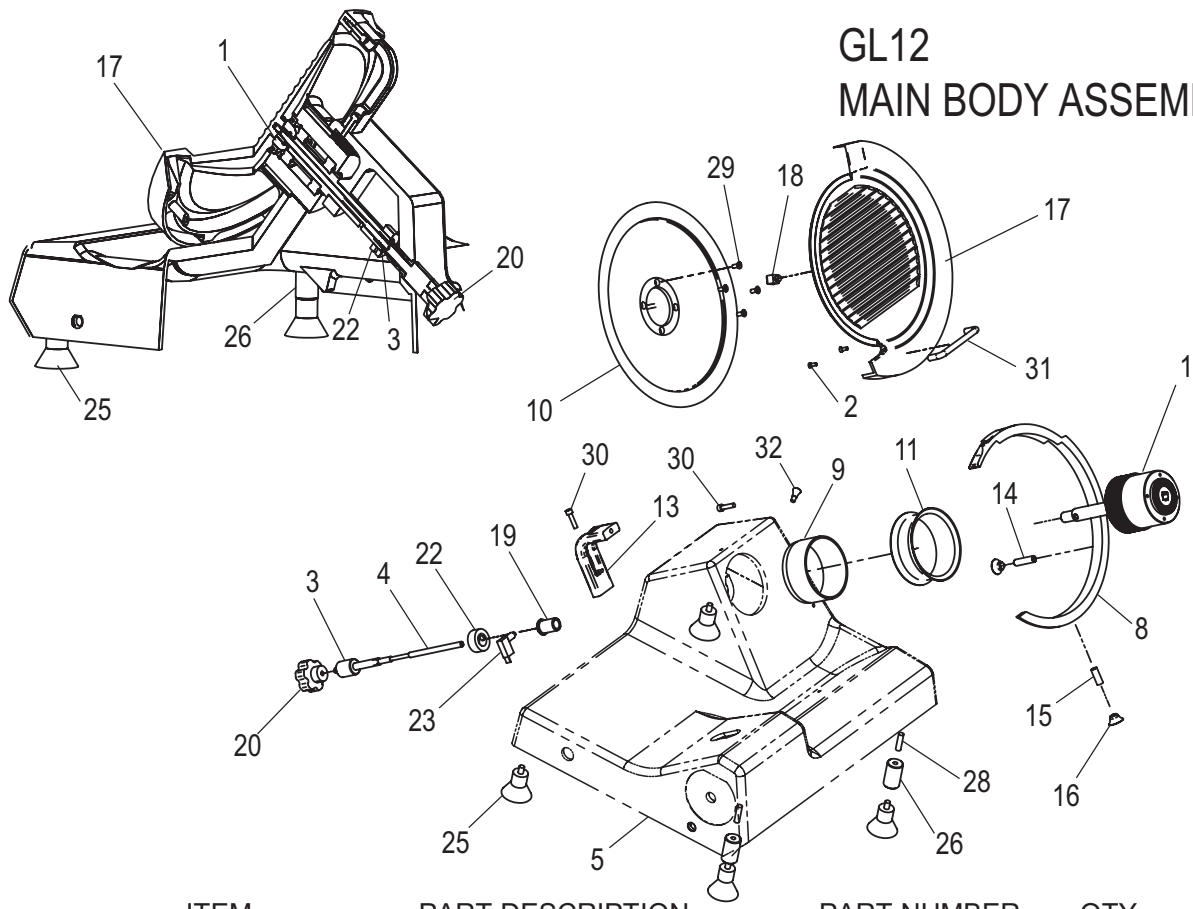
Not for resale



## TABLE OF CONTENTS

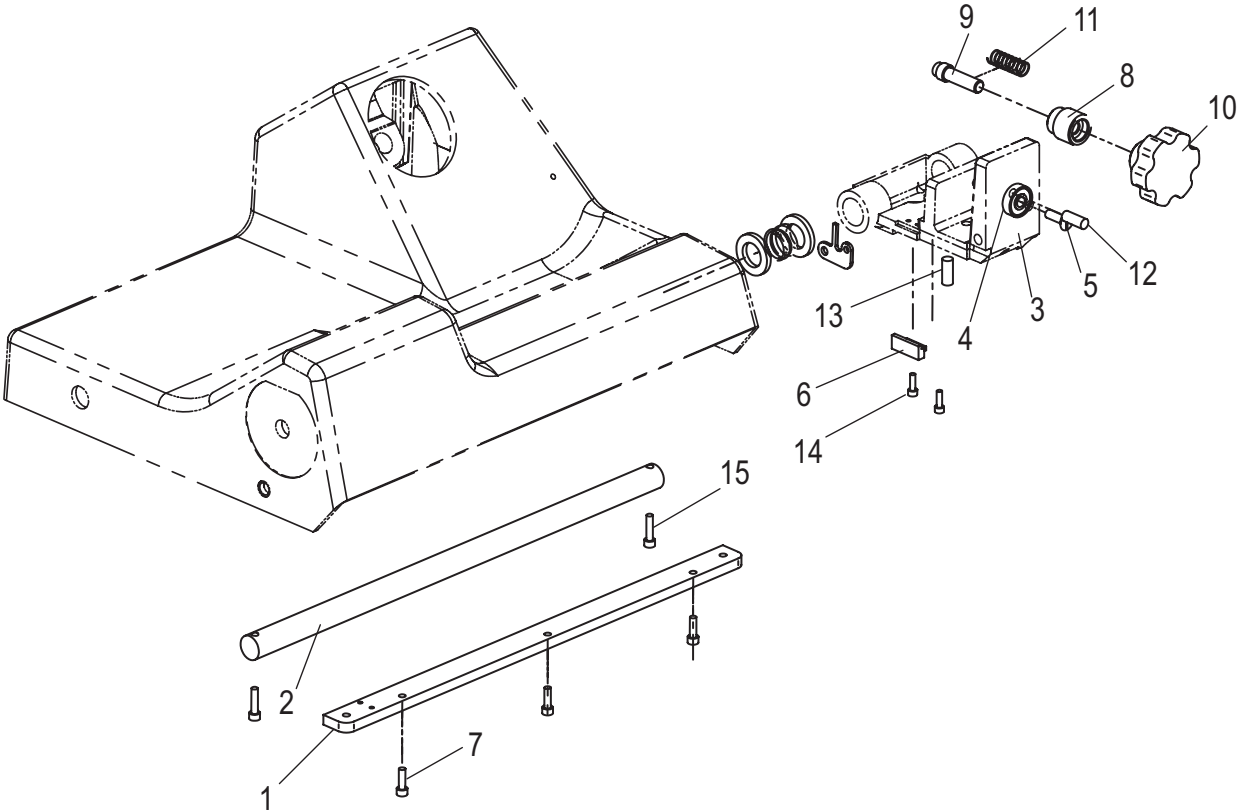
<u>MAIN BODY ASSEMBLY</u>	<u>1</u>
<u>SLIDE ASSEMBLY</u>	<u>2</u>
<u>CHUTE ARM</u>	<u>3</u>
<u>ADJUSTMENT KNOB</u>	<u>4</u>
<u>BEARING ASSEMBLY</u>	<u>5</u>
<u>LIFT LEVER ASSEMBLY</u>	<u>6</u>
<u>MOTOR ASSEMBLY</u>	<u>7</u>
<u>SHARPENER</u>	<u>8</u>
<u>END WEIGHT ASSEMBLY</u>	<u>9</u>
<u>CHUTE ASSEMBLY</u>	<u>10</u>
<u>WIRING DIAGRAM</u>	<u>11</u>
<u>LADDER DIAGRAM</u>	<u>12</u>

# GL12 MAIN BODY ASSEMBLY



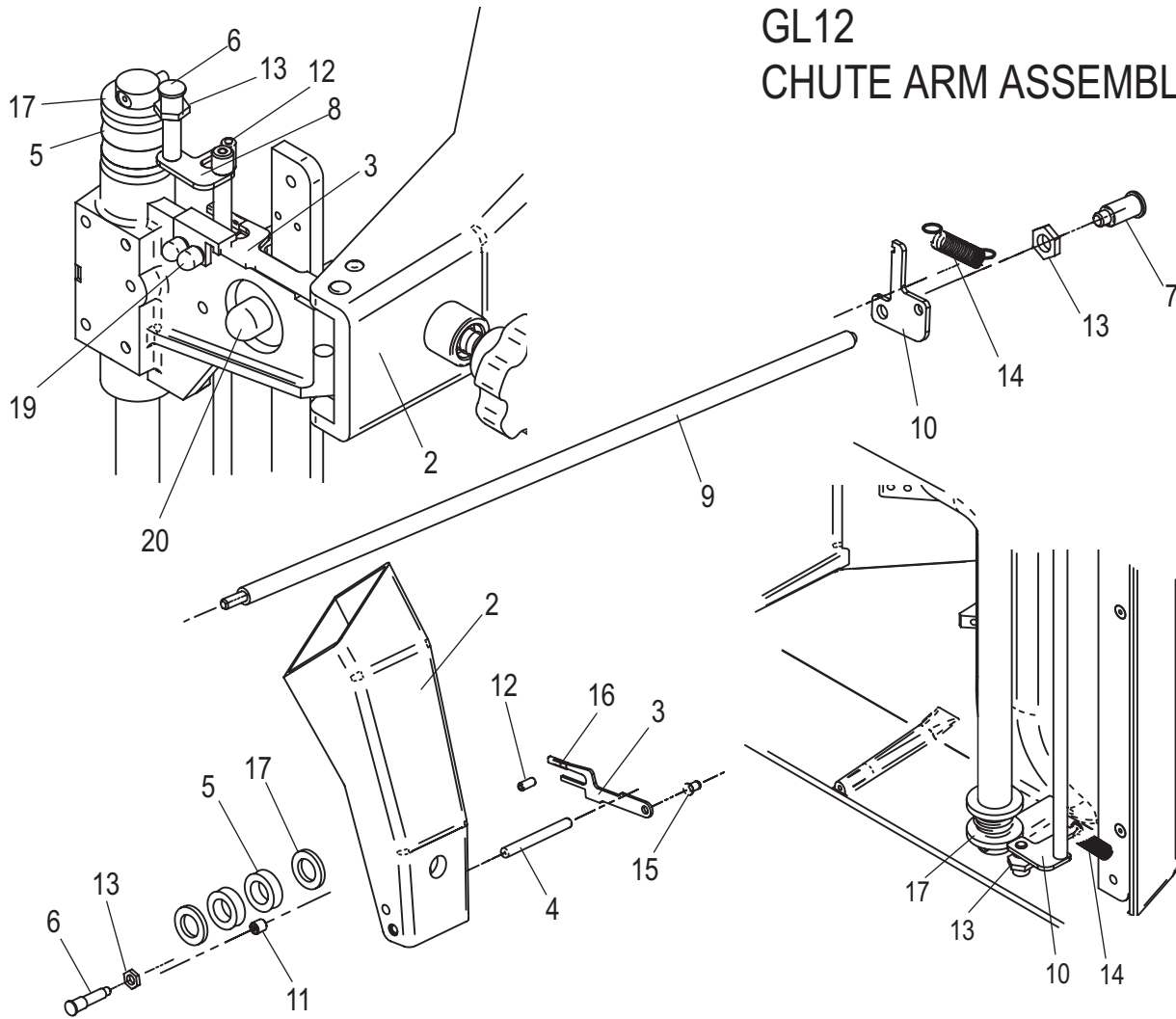
ITEM	PART DESCRIPTION	PART NUMBER	QTY.
1	HUB ASSEMBLY	BLOCK 201	1
2	SCREW	L7000623	1
3	MICROSWITCH SHAFT	L4100052	1
4	KNIFE GUARD SHAFT	L4100682	1
5	SLICER BODY GL12	L4020084	1
8	PROTECTIVE GUARD	L4020457	1
9	RUBBER GASKET SUPPORT	L4100692	1
10	BLADE	L3024110	1
11	RUBBER GASKET	L4090004	1
13	PROTECTIVE GUARD SUPPORT	L4020400	1
14	KNIFE COVER CYLINDER	L4100645	1
15	KNIFE COVER CYLINDER	L4101183	1
16	CYLINDER FOOT	L4101185	2
17	KNIFE COVER	L4020172	1
18	COVER INSERT	L4010064	1
19	BUSHING, HUB ASSEMBLY	L4100056	1
20	KNOB, KNIFE GUARD	L4090304	1
22	MICROSWITCH SUPPORT	L4100818	1
23	MICROSWITCH	L3040212	1
25	RUBBER FOOT	L3030400	4
26	FOOT SUPPORT	L406BA03	2
28	STUD	L7001758	2
29	SCREW	L7000634	4
30	SCREW	L7003339	2
31	U HANDLE	L4090300	1
32	KNOB, KNIFE GUARD	L4100114	1

# GL12 SLIDE ASSEMBLY



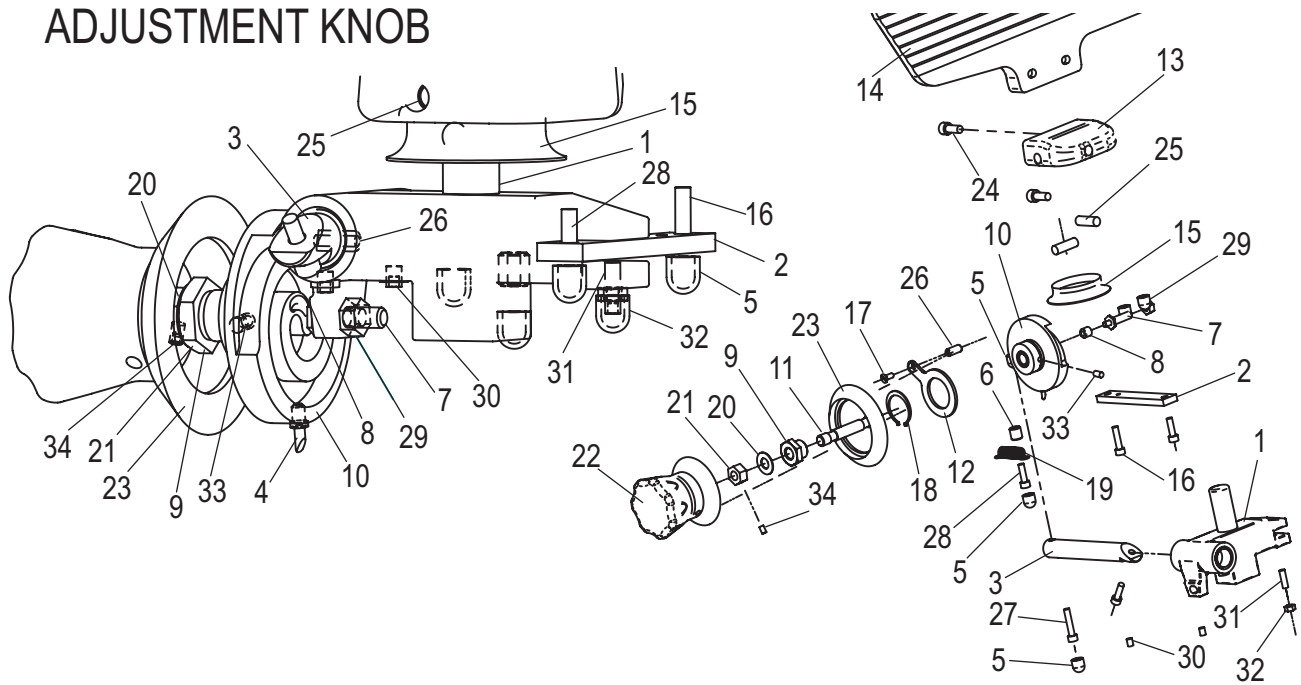
ITEM	PART DESCRIPTION	PART NUMBER	QTY.
1	SLIDE CARRIAGE	L4070309	1
2	BAR, CARRIAGE SLIDE	L4070209	1
3	SUPPORT, CARRIAGE ARM	L4010043	1
4	BEARING, NYLON	L3030323	1
5	SCREW	L7001357	1
6	GEAR	L405CB24	1
7	SCREW	L7003338	3
8	BUSHING	L4100086	1
9	PIVOT	L4101035	1
10	KNOB	L4020305	1
11	SPRING	L3031223	1
12	STUD	L7001769	1
13	STUD	L4100195	1
14	SCREW	L7003035	2
15	SCREW	L7003339	2

# GL12 CHUTE ARM ASSEMBLY



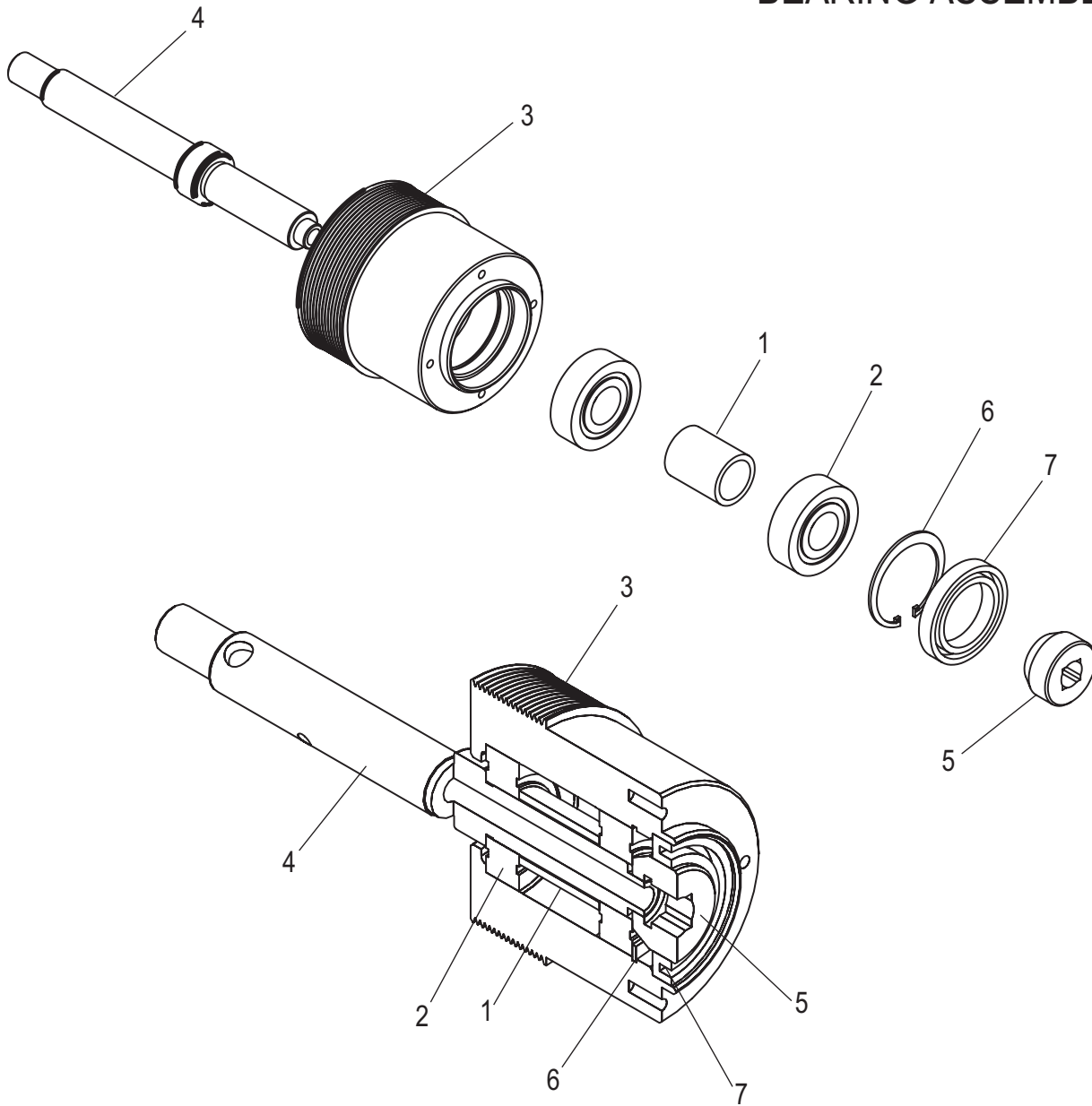
ITEM	PART DESCRIPTION	PART NUMBER	QTY.
1	SPRING	L3031235	1
2	CARRIAGE ARM	L4020052	1
3	BLOCKING ARM	L405FC10	1
4	ARM PIVOT	L4100253	1
5	RUBBER WASHER	L3030502	2
6	BAR SHAFT	L1400872	1
7	BAR SHAFT	L4100870	1
8	BLOCKING PLATE	L405FC01	1
9	BLOCKING BAR	L4100032	1
10	BLOCKING PLATE	L405FC06	1
11	BUSHING	L4100860	1
12	PIVOT	L4100332	1
13	NUT	L4100800	2
14	SPRING	L3031266	1
15	PIVOT	L4100866	1
16	C-CLIP	L7003608	1
17	RUBBER WASHER	L3030506	4
18	RUBBER	-	1
19	SCREW CAP	-	2
20	SCREW CAP	L3031328	1

# GL12 ADJUSTMENT KNOB



ITEM	PART DESCRIPTION	PART NUMBER	QTY.
1	SLICE CONTROL UNIT	L403E010	1
2	JIB	L405CB32	1
3	SHAFT	L4100791	1
4	CAM PIVOT	L4100330	1
5	SCREW	L3031308	5
6	BUSHING	L4100860	1
7	CAM PIVOT	L4100102	1
8	CAM ROLLER	L4100525	1
9	BUSHING	L4100065	1
10	CAM	L4090166	1
11	SHAFT, KNOB	L4100256	1
12	PLATE	L405CB22	1
13	FENCE MOUNTING	L4020368	1
14	FENCE MOUNTING	L4020269	1
15	GASKET	L4090003	1
16	SCREW	L7003339	1
17	SCREW	L7000634	1
18	C-CLIP	L7001435	1
19	SPRING	L3031236	1
20	BOWED WASHER	L700263F	1
21	NUT	L4100100	1
22	KNOB	2V30012	1
23	BUSHING	4090104	1
24	SCREW	7003057	2
25	STUD	-	2
26	PIVOT	4100332	1
27	SCREW	700013A	1
28	SCREW	7003337	3
29	NUT	7004008	1
30	STUD	3031306	2
31	STUD	7001748	1
32	NUT	7000462	1
33	STUD	7001745	1
34	STUD	7003536	1

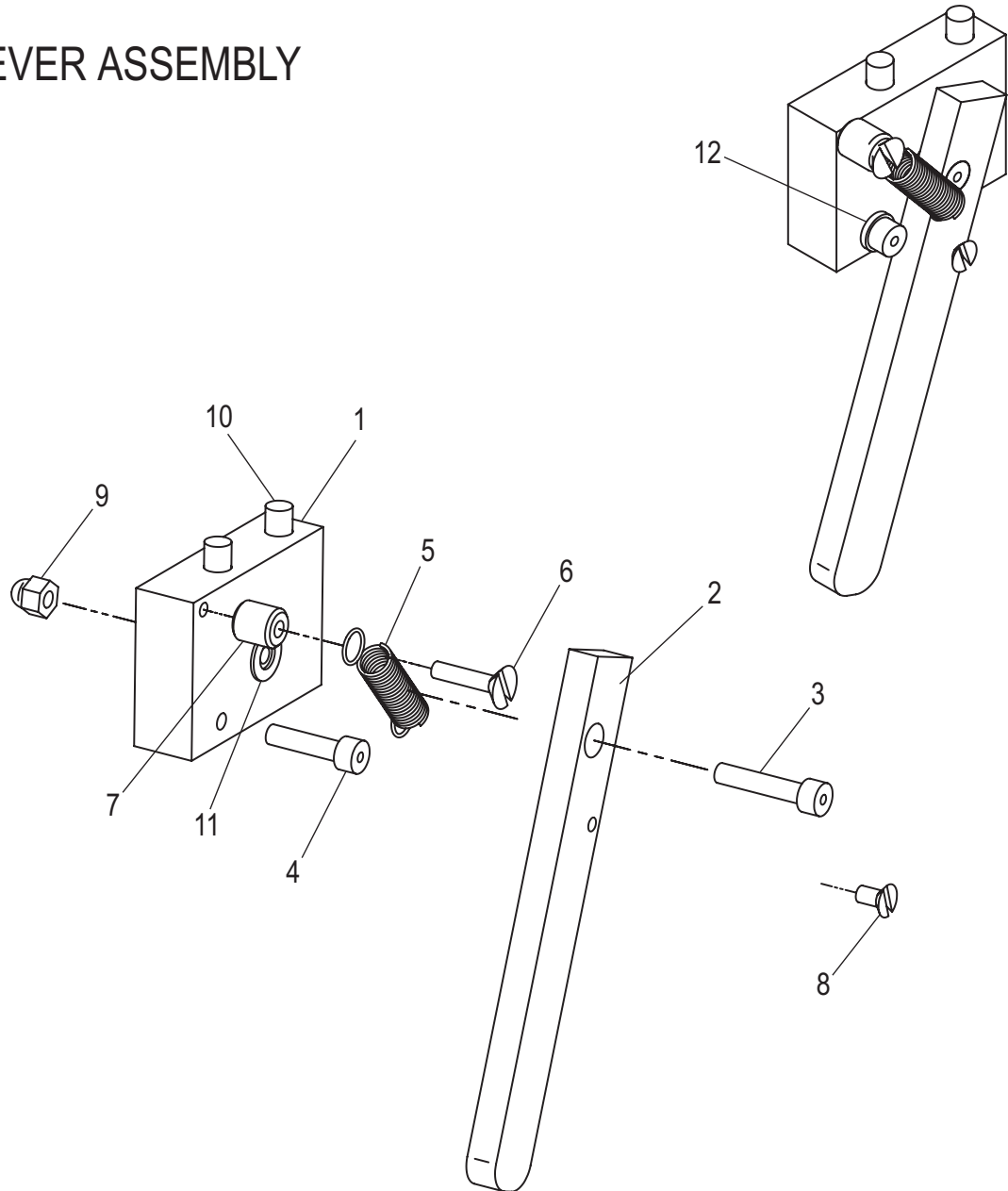
# GL12 BEARING ASSEMBLY



ITEM	PART DESCRIPTION	PART NUMBER	QTY.
1	SPACER	L4100153	1
2	BALL BEARING	L3030306	2
3	PULLEY	L4010349	1
4	SHAFT	L4101114	1
5	BUSHING	L4101068	1
6	C-CLIP	L7000535	1
7	GASKET	L3030203	1

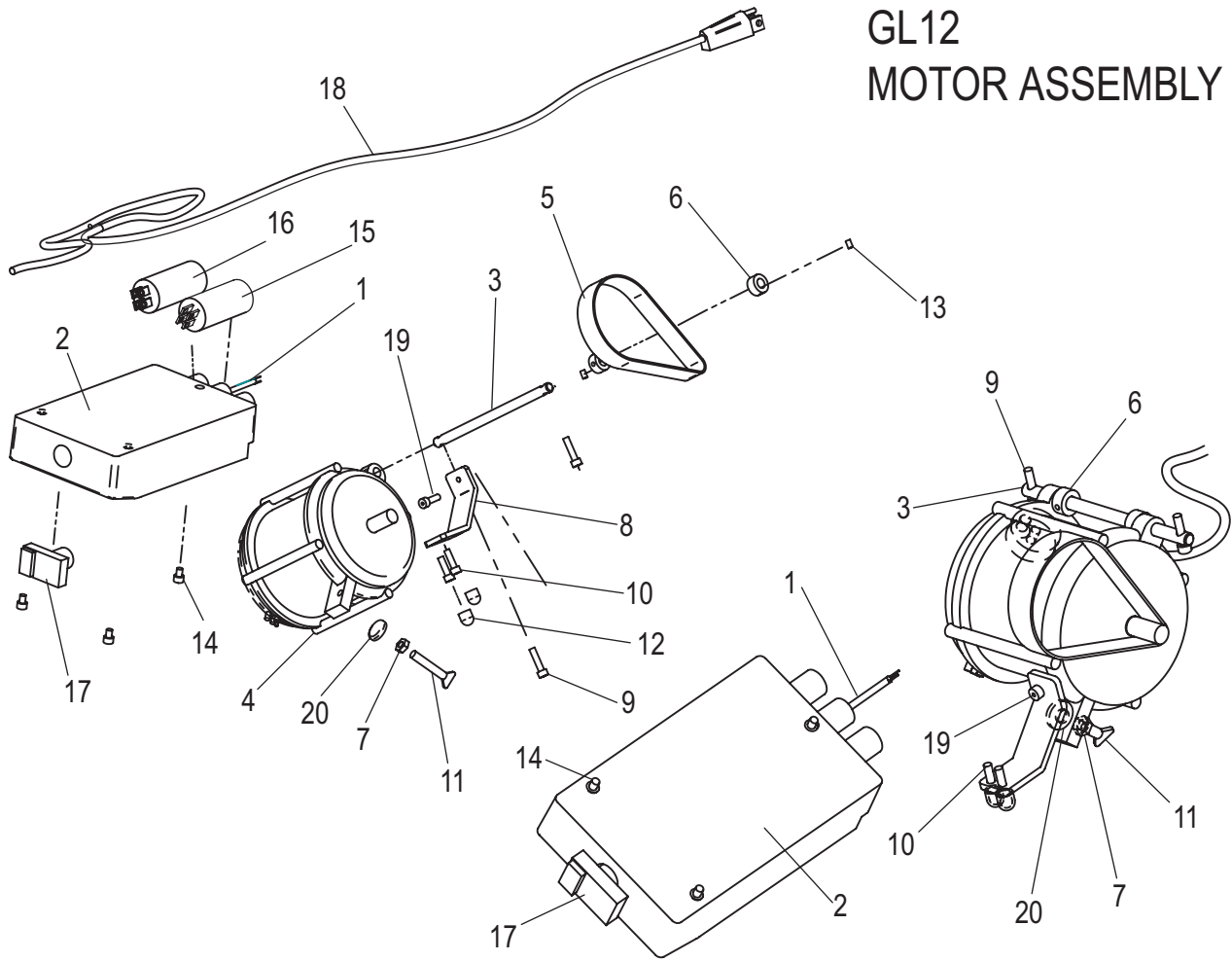


# GL12 LIFT LEVER ASSEMBLY



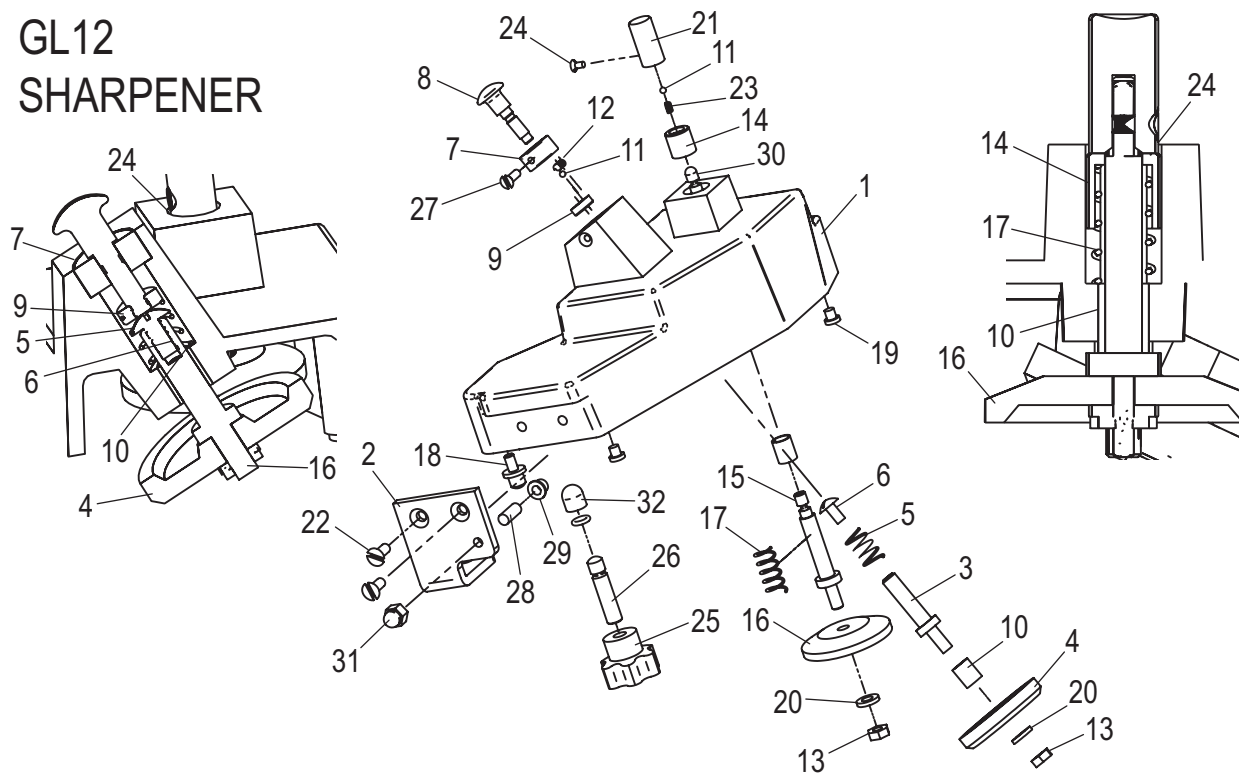
ITEM	PART DESCRIPTION	PART NUMBER	QTY.
1	SUPPORT	L405CB72	1
2	LIFT LEVER	L405CB74	1
3	SCREW	L700013A	1
4	SCREW	L7003339	1
5	SPRING	L3031236	1
6	SCREW	L700134B	1
7	BUSHING	L4100860	1
8	SCREW	L7000633	1
9	NUT	L7004506	1
10	SCREW	L7003056	2
11	WASHER	L7003808	1
12	WASHER	L7003806	1

# GL12 MOTOR ASSEMBLY



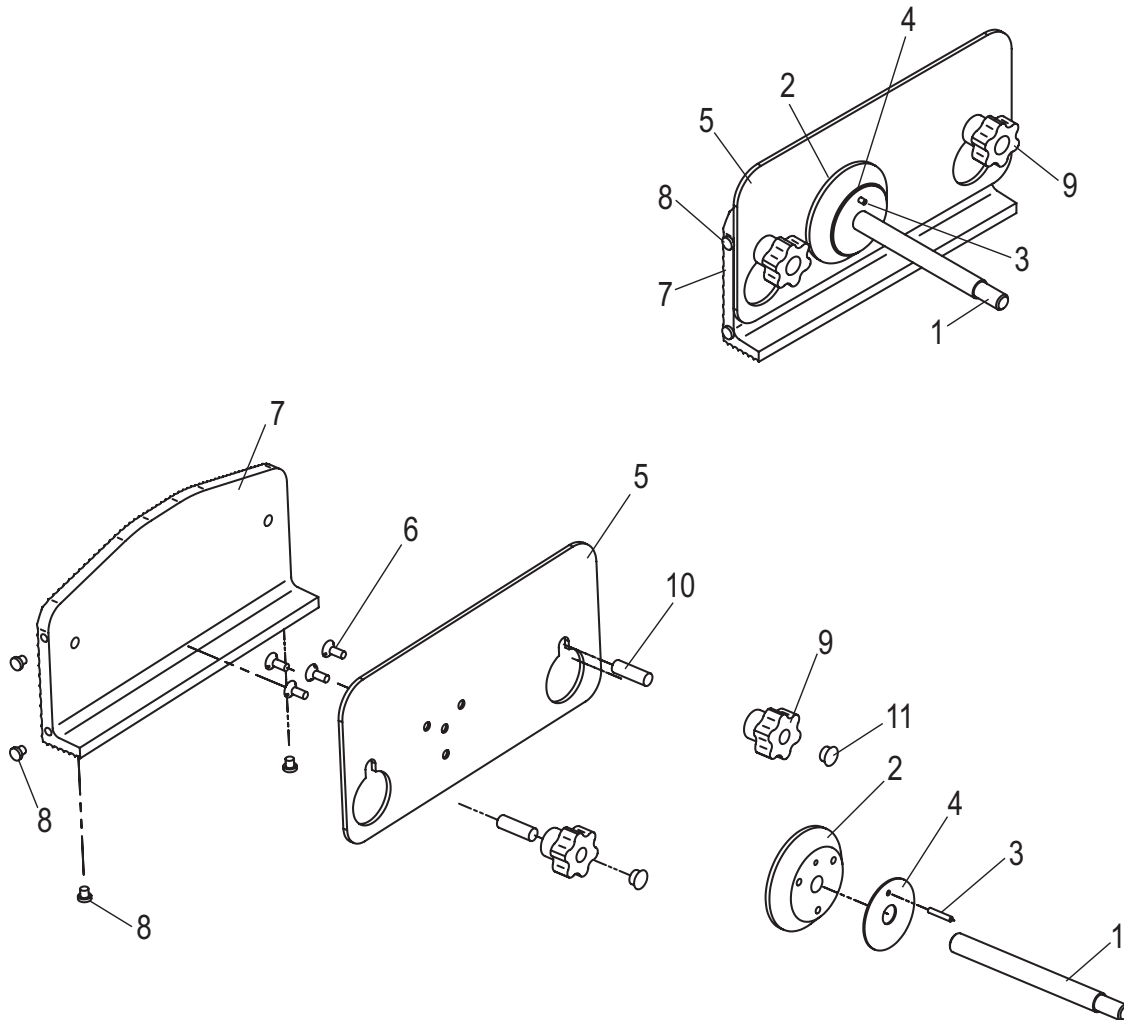
ITEM	PART DESCRIPTION	PART NUMBER	QTY.
1	MICROSWITCH CORD	L3040705	1
2	ELECTRICAL BOX	L4090099	1
3	MOTOR BAR	L4100846	1
4	MOTOR, 115V 60HZ	L3010108	1
5	BELT	L3030100	1
6	BUSHING	L4100180	1
7	NUT	-	1
8	BELT SUPPORT	L405CB20	1
9	SCREW	L7003339	2
10	SCREW	L7003337	2
11	SCREW	-	1
12	SCREW CAP	L3031308	2
13	STUD	L7003536	2
14	SCREW	L7000133	3
15	CAPACITOR, 10uF	L3040313	1
16	CAPACITOR, 10uF	L3040313	1
17	SWITCH, ON/OFF	L4090099	1
18	CORD AND PLUG	L3040504	1
19	SCREW	L7003338	1
20	RUBBER CAP	L3031325	1

# GL12 SHARPENER



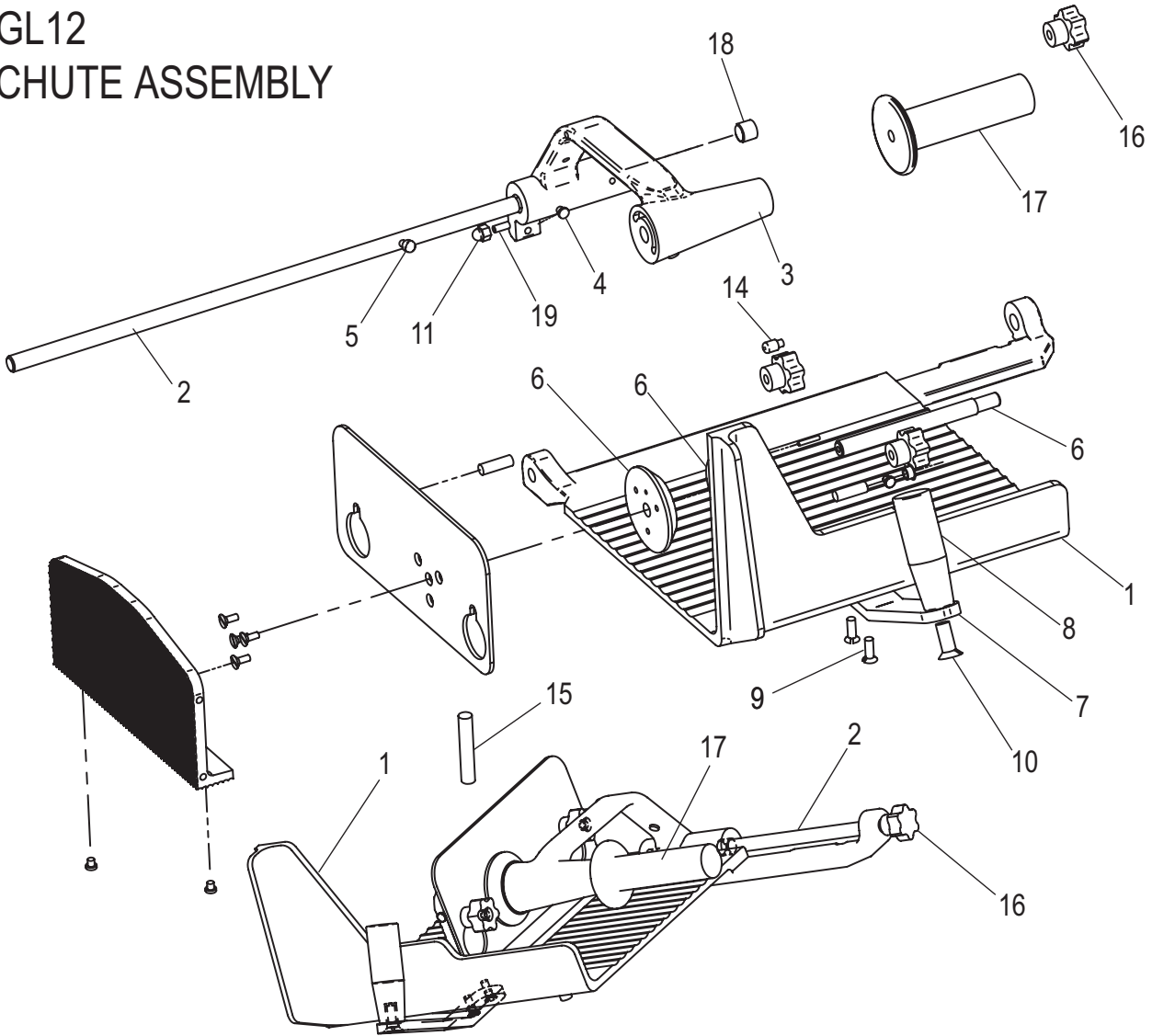
ITEM	PART DESCRIPTION	PART NUMBER	QTY.
1	COVER	L4020142	1
2	SUPPORT	L105FC40	1
3	SHAFT	L4100271	1
4	STONE, SHARPENING	L3030710	1
5	SPRING	L3031204	1
6	SCREW	L7900121	1
7	BUSHING	L4100072	1
8	BUTTON	L4100074	1
9	BUSHING	L4100713	1
10	BUSHING	L3030827	2
11	BALL	L3031321	2
12	SPRING	L3031205	1
13	NUT	-	2
14	SPACER	L4100069	1
15	SHAFT, HONING STONE	L4100717	1
16	STONE, HONING	L3030709	1
17	SPRING	L3031247	1
18	NYLON TIP	L4100715	1
19	NYLON TIP	L4100780	2
20	WASHER	L7003806	2
21	BUTTON	L4100625	1
22	SCREW	L7000634	2
23	SPRING	L3131205	1
24	SCREW	L4100594	1
25	KNOB	L4090302	1
26	SHAFT	L4100655	1
27	SCREW	L7000623	1
28	STUD	L7001757	1
29	CAP	L3040142	1
30	SHAFT, HONING STONE (ALTERNATE)	L4100717	1
31	NUT	L7004506	1
32	SCREW	-	1

# GL12 END WEIGHT ASSEMBLY



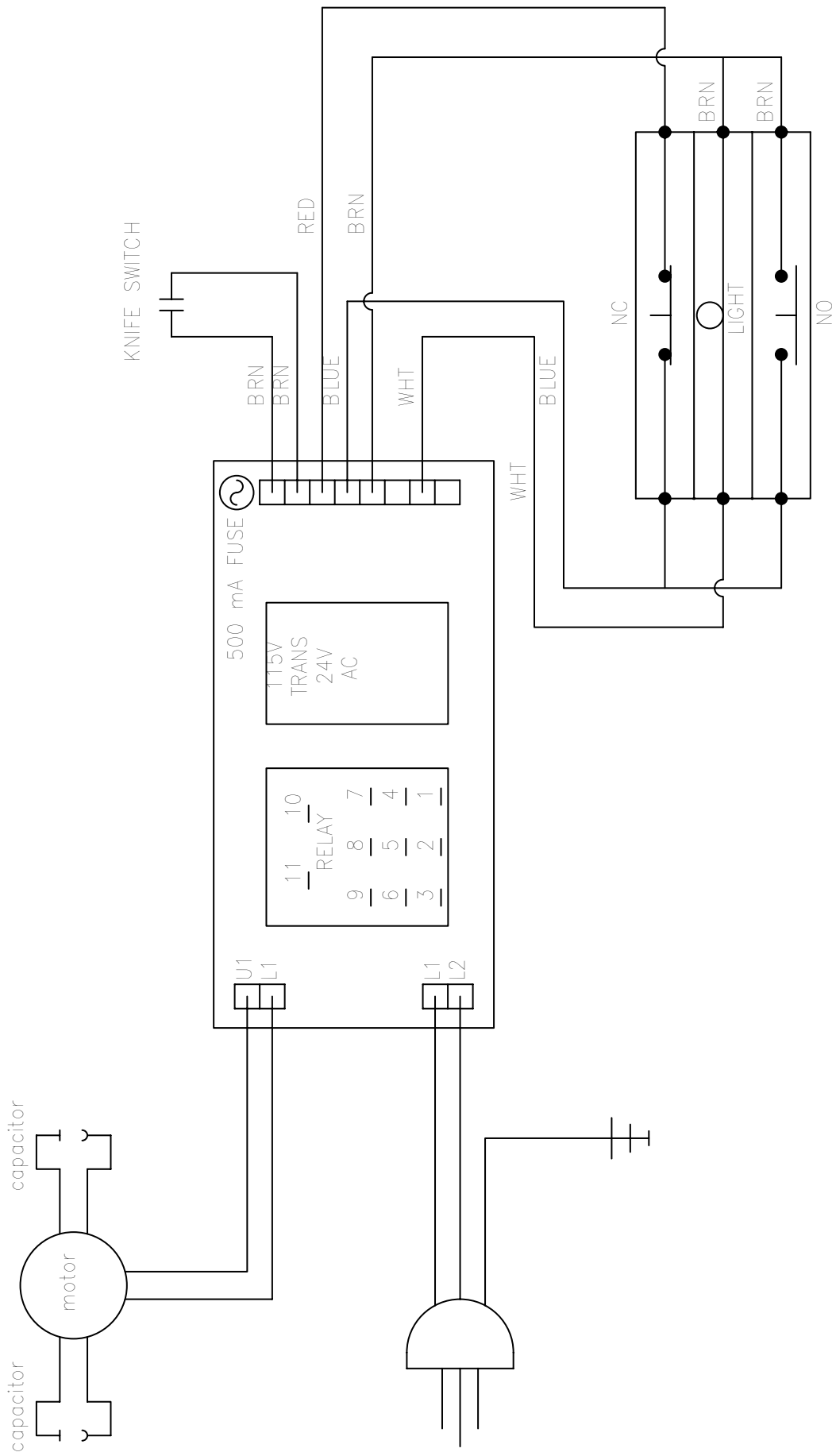
ITEM	PART DESCRIPTION	PART NUMBER	QTY.
1	SHAFT	L4100862	1
2	SPACER	L406AD03	1
3	PIN	L7002749	1
4	WASHER, NYLON	L4100919	1
5	PLATE	L405FC12	1
6	SCREW	L7000634	4
7	END WEIGHT SUPPORT	L4020282	1
8	NYLON TIP	L4100780	4
9	KNOB	L4090361	2
10	STUD	L7001759	2
11	PLUG	L3040125	2

# GL12 CHUTE ASSEMBLY



ITEM	PART DESCRIPTION	PART NUMBER	QTY.
1	CARRIAGE	L4020126	1
2	BAR	L4100034	1
3	ARM	L4020040	1
4	NYLON TIP	L4100780	4
5	NO ROTATE PIVOT	L4100??	1
6	END WEIGHT ASSEMBLY	BLOCK 401	1
7	PLATE, HANDLE	L405AC04	1
8	HANDLE	L4090321	1
9	SCREW	L7003335	2
10	SCREW	L7002463	1
11	NUT, BLIND	L7000905	1
14	RUBBER PIN	L4100776	1
15	STUD	L7000273	1
16	KNOB	L4090302	1
17	HANDLE	L4090325	1
18	BUSHING	L3030814	2
19	STUD	L70035??	1

# GL12 WIRING DIAGRAM



# GL12 LADDER DIAGRAM

