

Parts Catalogue

PRONTO



SLICING MACHINES

MODEL: P-10 and P-12

4-15-2003

IMPORTANT!

TO EXPEDITE SHIPMENT OF PARTS, ALWAYS SPECIFY MODEL,
PART NUMBER, AND SERIAL NUMBER OF SLICER.

G.F.E. CO

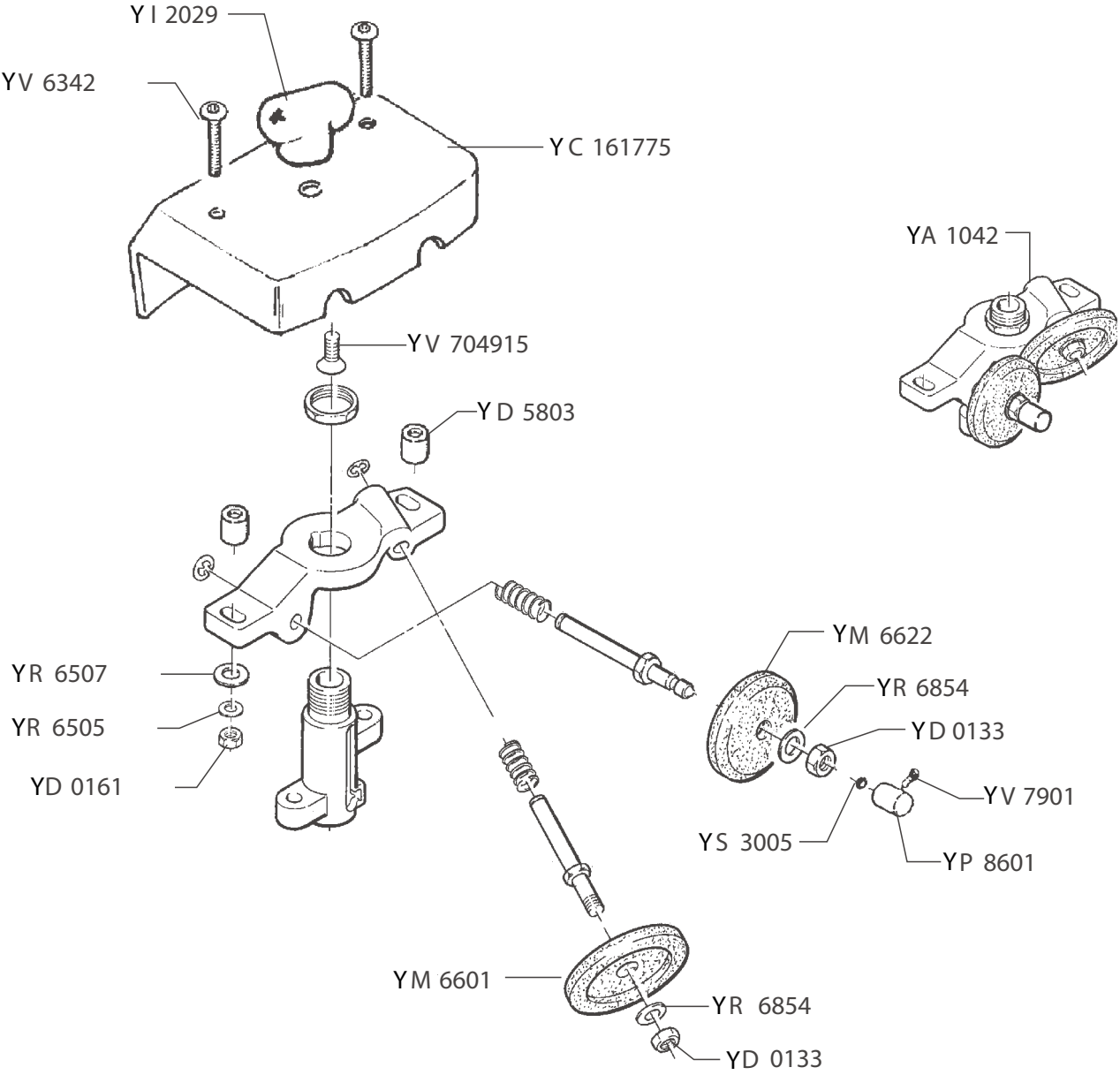
2268 N. Moraine Drive

Dayton, Ohio 45439

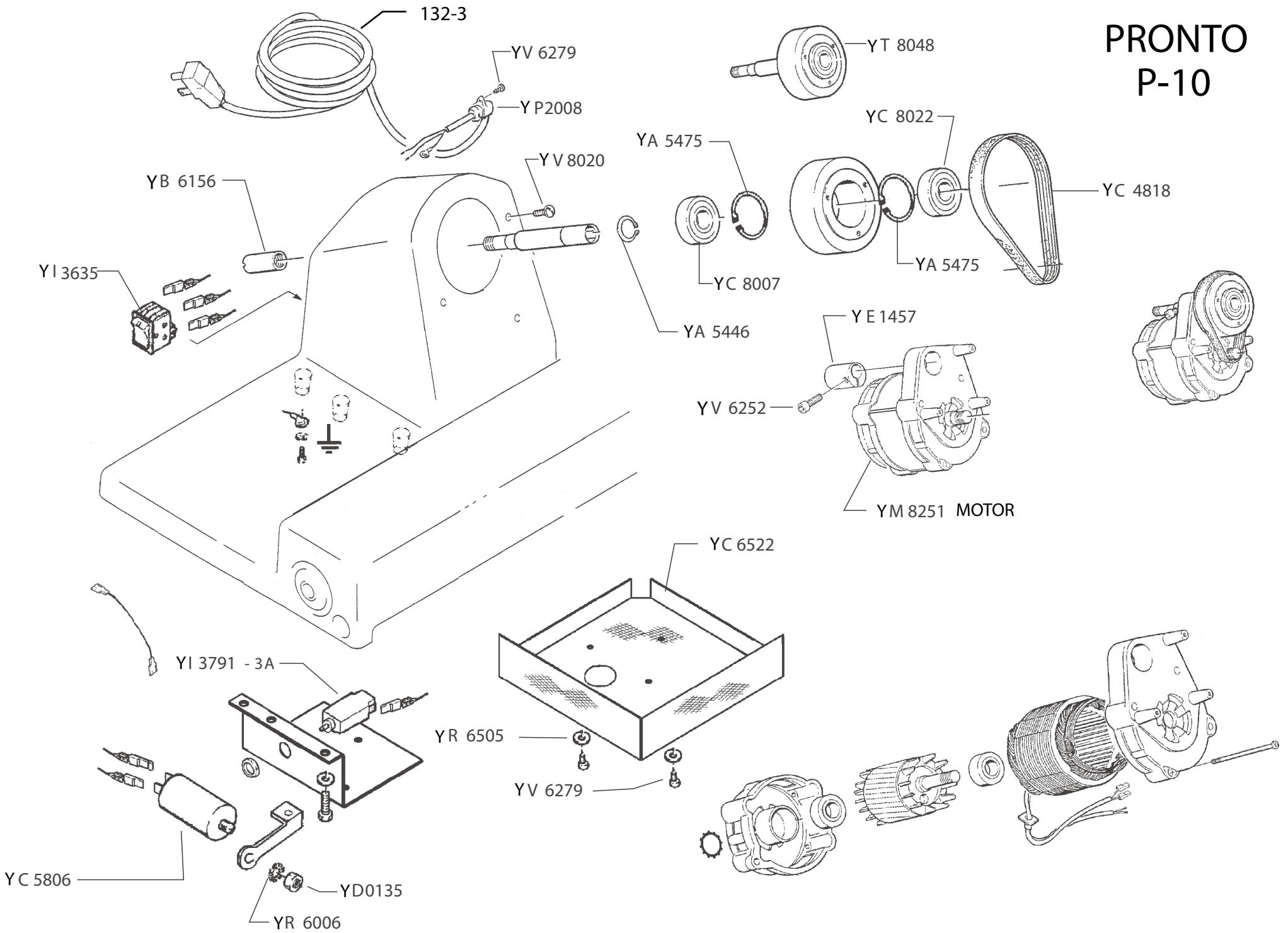
Parts Department

Toll Free 1-800-745-6238 • Fax (937) 290-0585

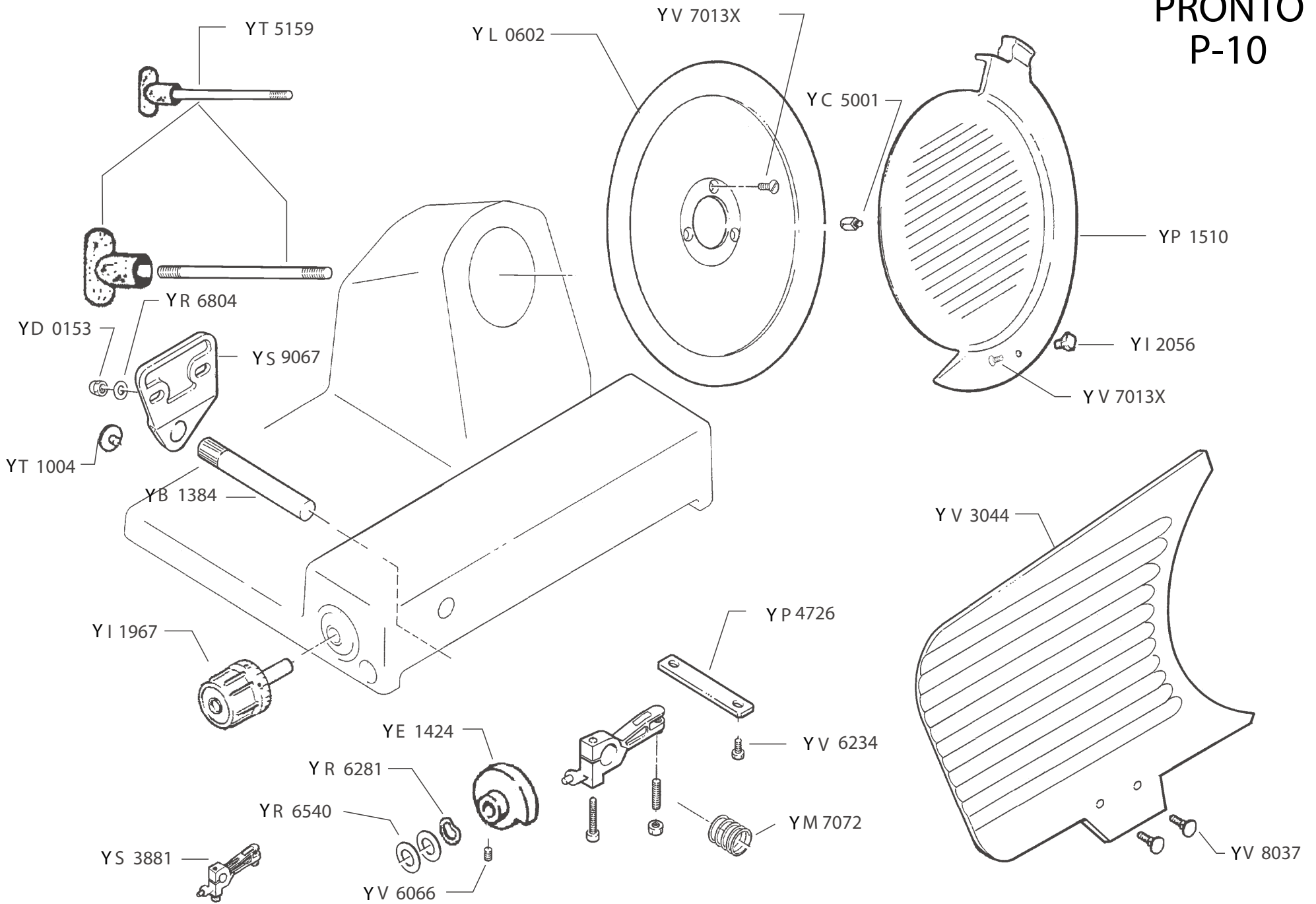
Pronto P10 and P12



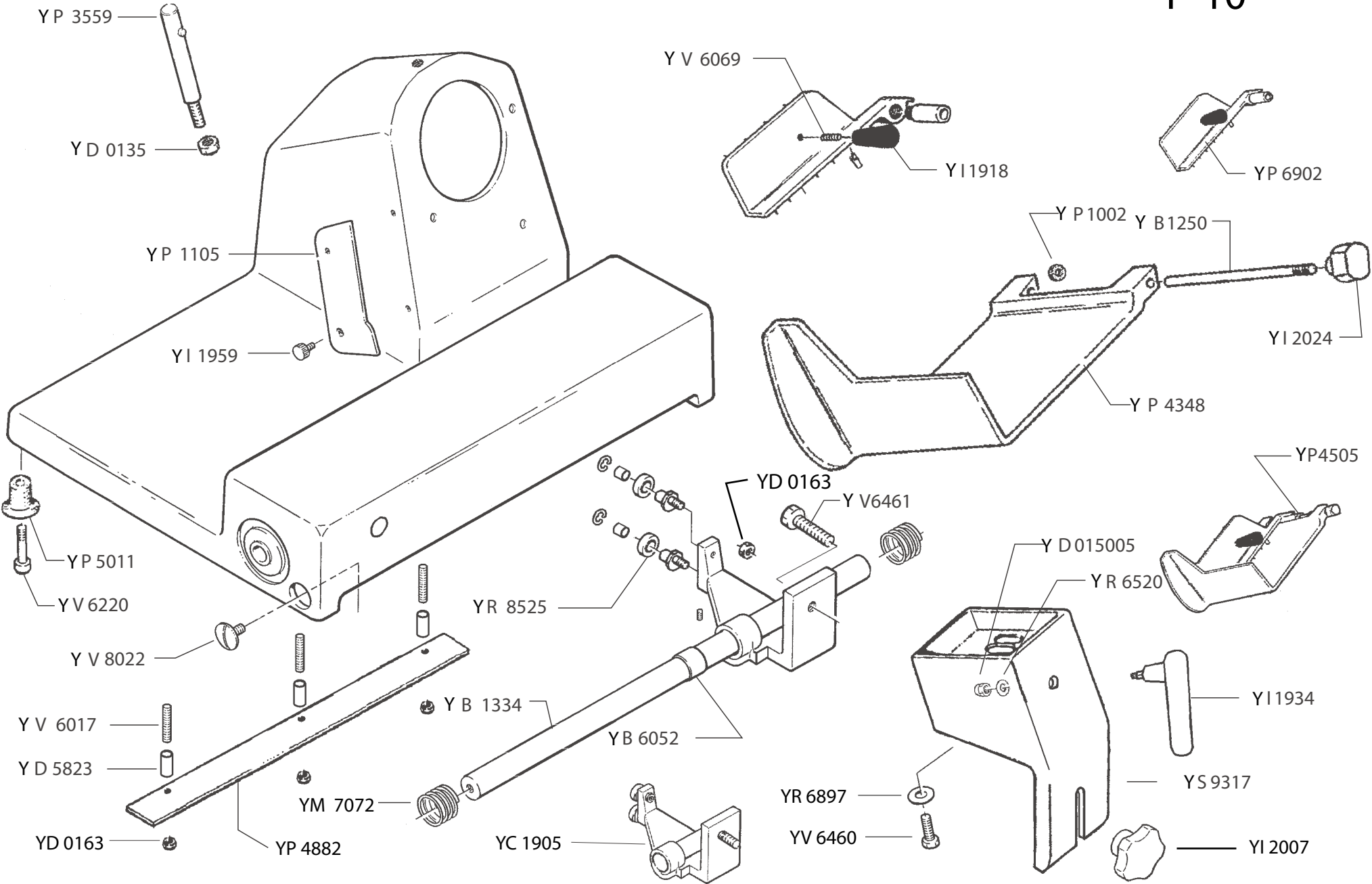
PRONTO P-10



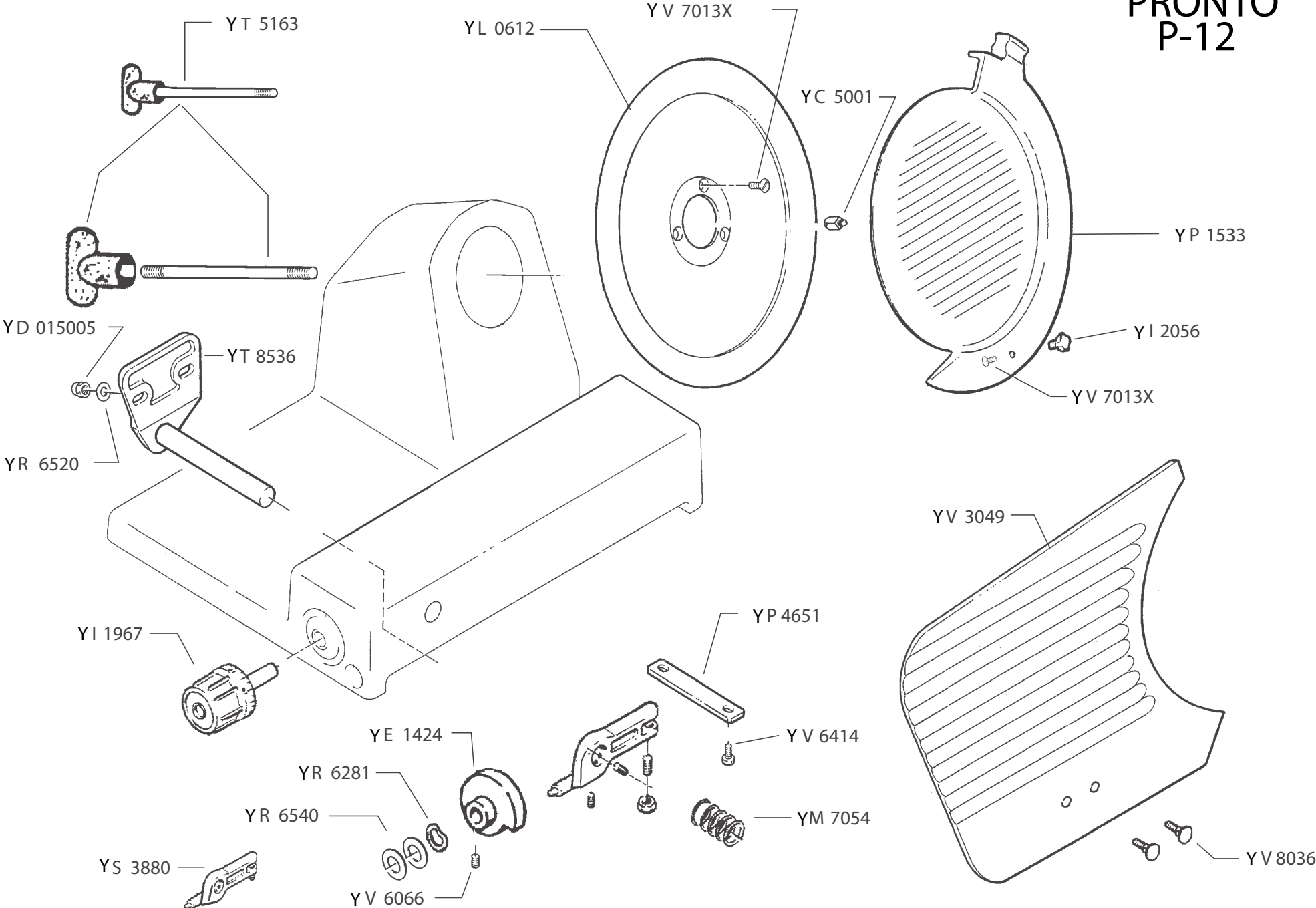
PRONTO P-10



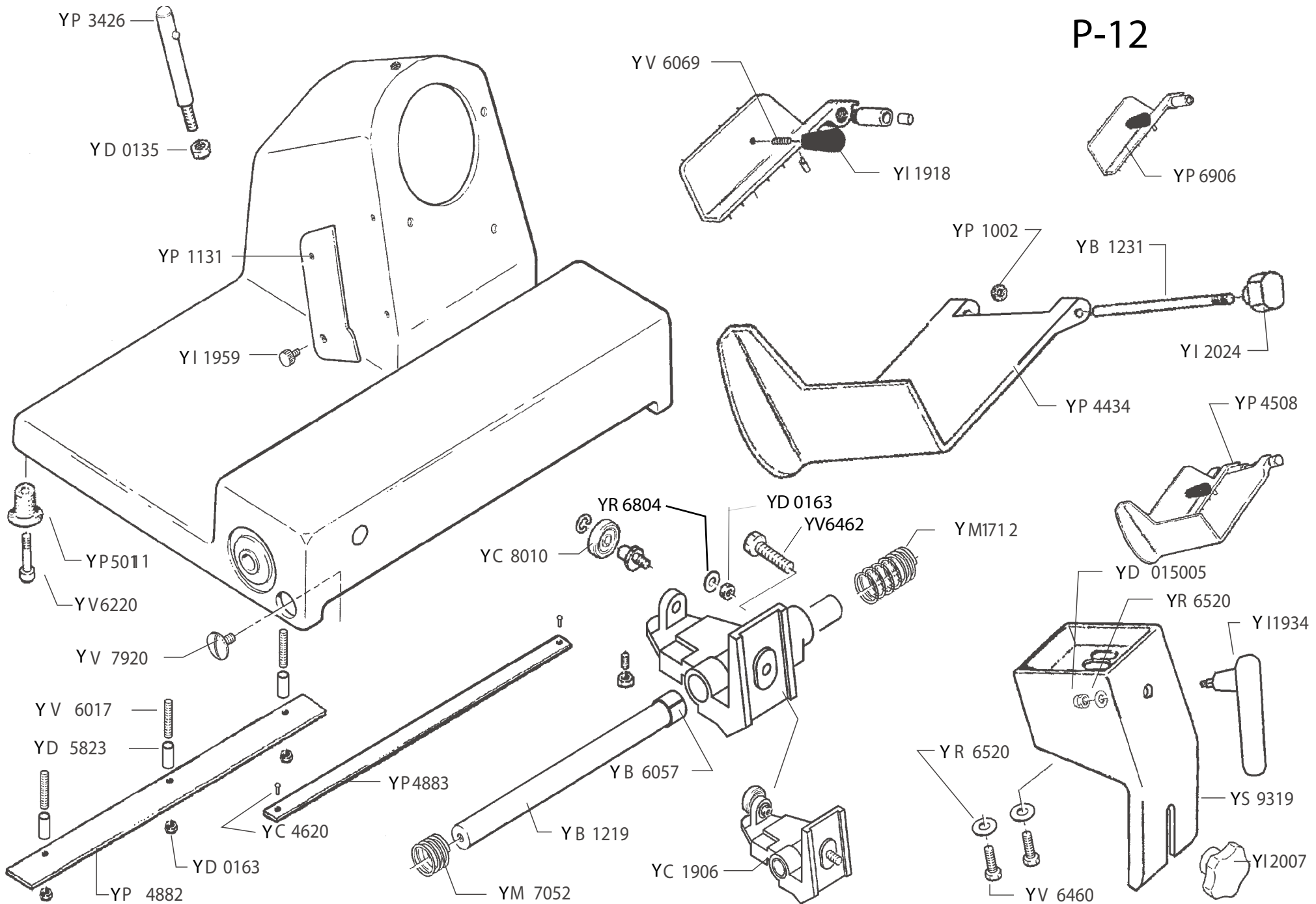
PRONTO P-10



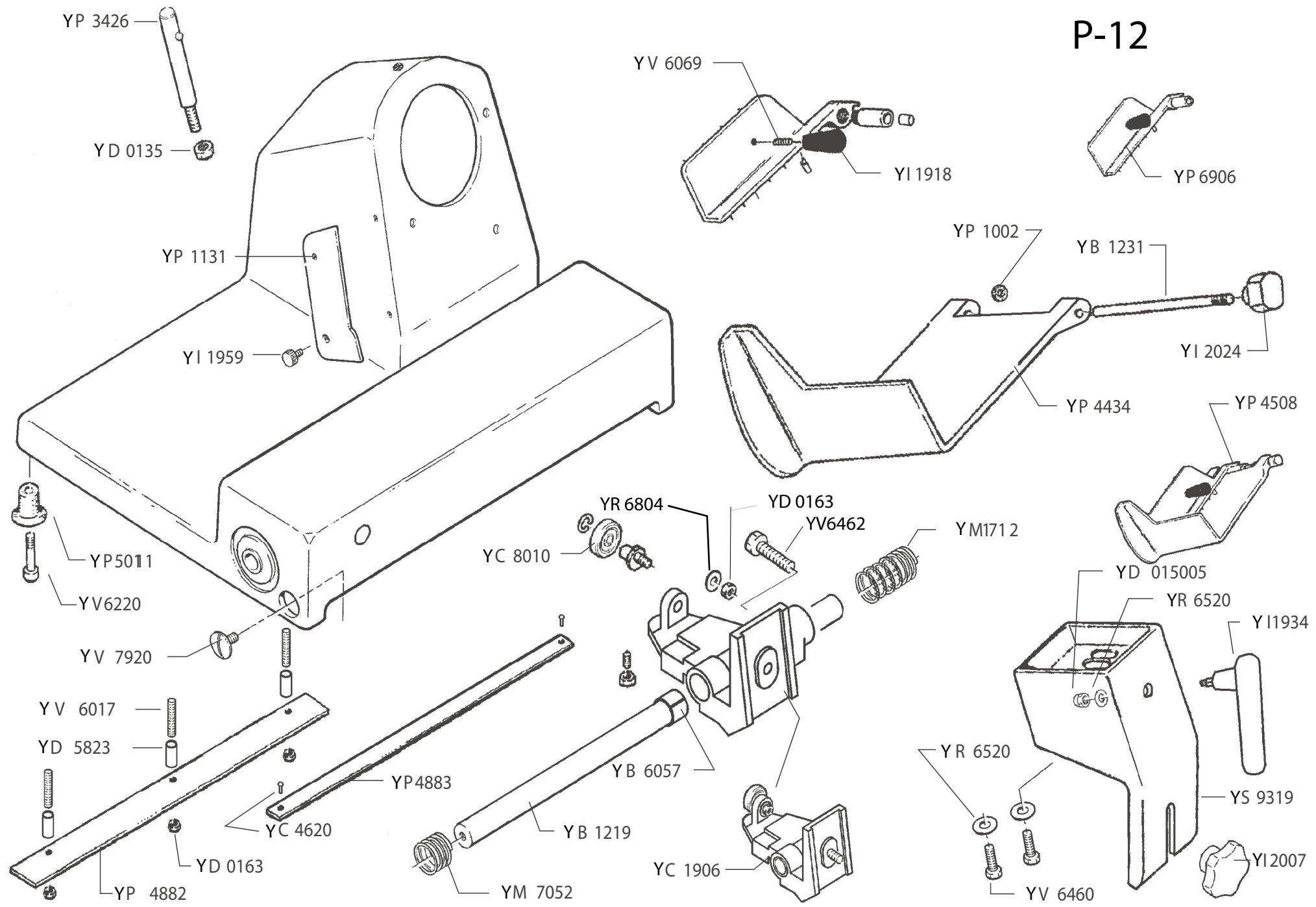
PRONTO P-12



PRONTO P-12



PRONTO P-12



WIRING PRONTO P-10 AND P-12

